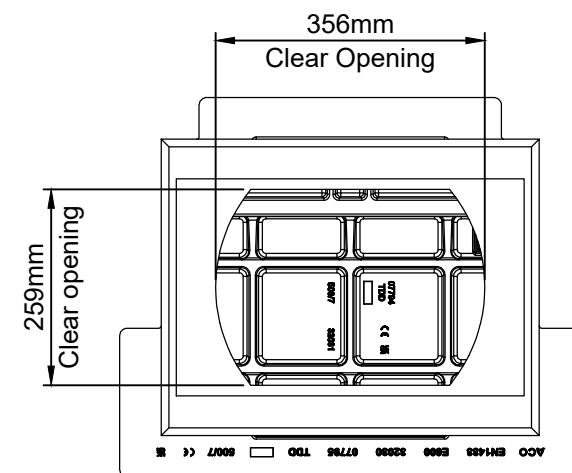



ISOMETRIC VIEW
SCALE: 1:10



NOTES:
 • DIMENSIONS ARE FOR INDICATION ONLY AND MAY VARY DUE TO PART MANUFACTURING TOLERANCES AND INSTALLATION DETAILS
 • * CLEAR OPENING

A	26/04/2022	RELEASED FOR PRODUCTION	CH	CH
Issue	Date	Description	Created	Approved
 ACO Technologies plc		ACO Business Park Hitchin Road Shefford Bedfordshire SG17 5TE, UK Tel: 01462 816666 www.aco.co.uk	Drawing Number: E1-M01-645-1 Part Number: 32017	
Created by: CH Created at: 26/04/2022		Projection: ISO-A Protection note: DIN ISO 16016	Units: mm Format: A3	Scale: 1:10 Sheet: 1 of 1
KERBDRAIN HB-D/E/E+ GULLY ACCESS TOP ASSEMBLY E 600			Information contained in this drawing is copyright property of ACO Technologies plc. Any reproduction in part or whole without written permission of ACO Technologies plc is prohibited	