

1 2 3 4 5 6 7 8

A

B

C

D

E

F

A

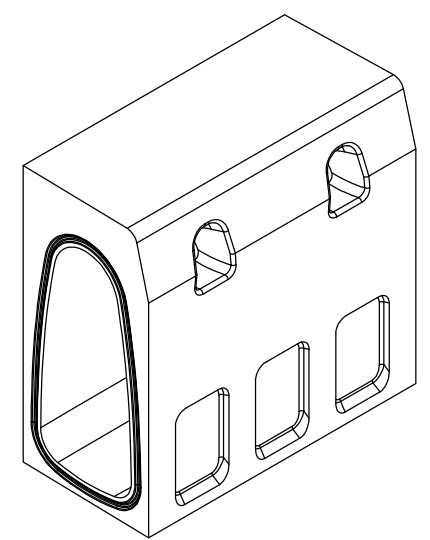
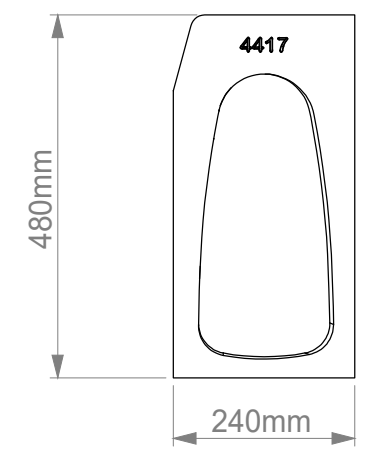
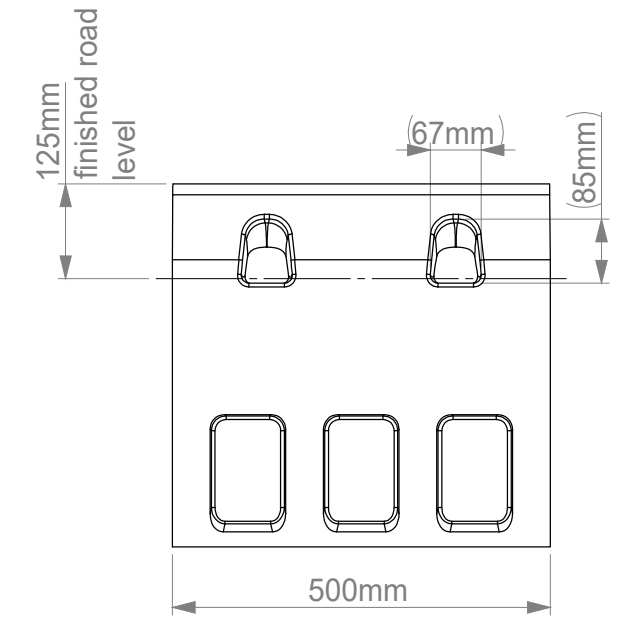
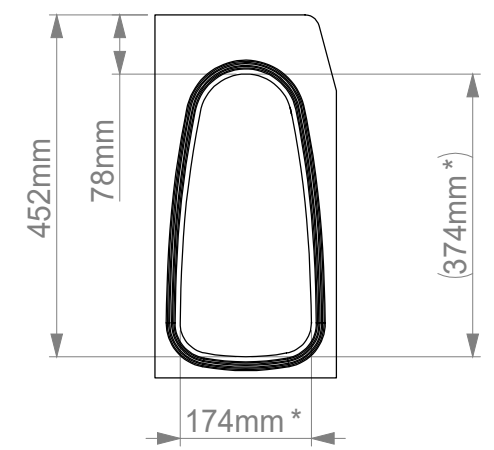
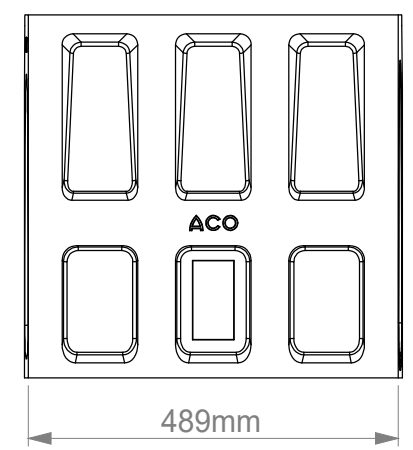
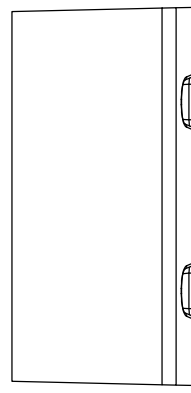
B

C

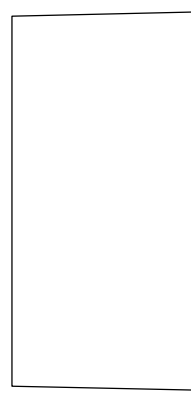
D

E


F



ISOMETRIC VIEW
SCALE: 1:10



NOTES:
 • DIMENSIONS ARE FOR INDICATION ONLY AND MAY VARY DUE TO PART MANUFACTURING TOLERANCES AND INSTALLATION DETAILS
 • * CLEAR OPENING

A	21/02/2024	RELEASED FOR PRODUCTION	CH	CH
Issue	Date	Description	Created	Approved
 ACO Technologies plc ACO Business Park Hitchin Road Shefford Bedfordshire SG17 5TE, UK Tel: 01462 816666 www.aco.co.uk		Drawing Number: E1-M01-726-1 Title: KERBDRAIN HB480E+ 25-11m EXTERNAL MITRE CHANNEL 500/489mm E 600	Part Number: 4417	
Created by: CH	Created at: 11/10/2023	Projection: ISO-A	Units: mm	Format: A3
Protection note: DIN ISO 16016		Information contained in this drawing is copyright property of ACO Technologies plc. Any reproduction in part or whole without written permission of ACO Technologies plc is prohibited		Scale: 1:10
				Sheet: 1 of 1

1 2 3 4 5 6 7 8