

1 2 3 4 5 6 7 8

A

B

C

D

E

F

A

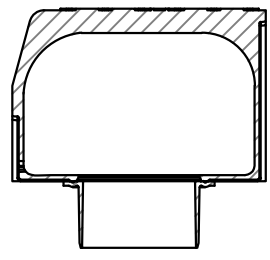
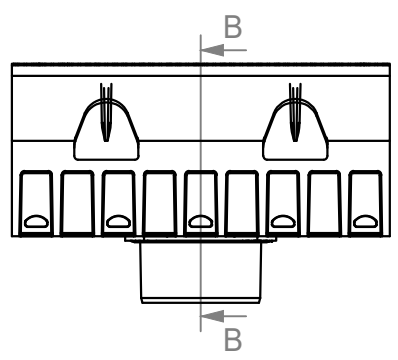
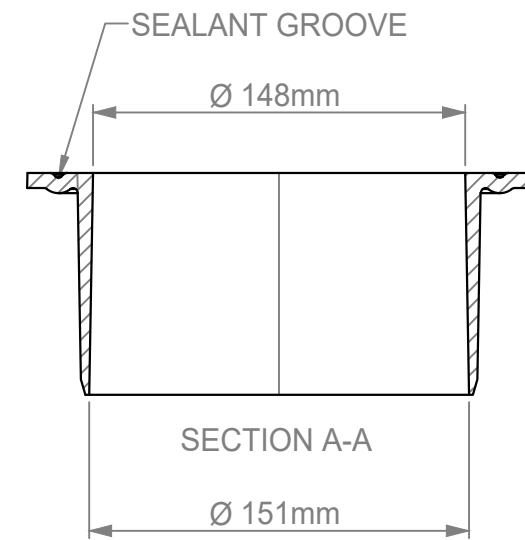
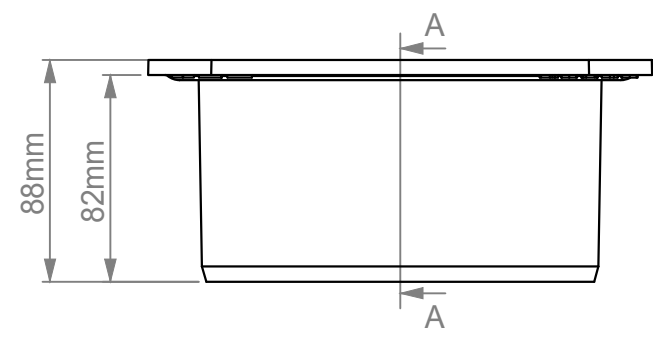
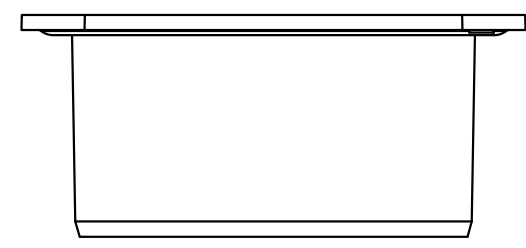
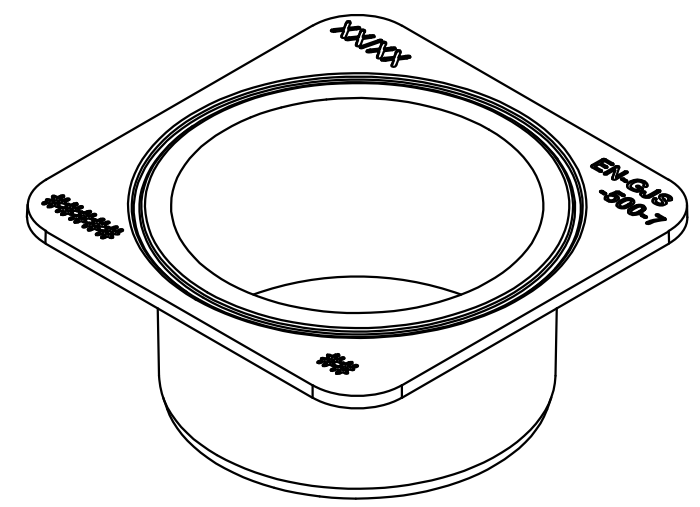
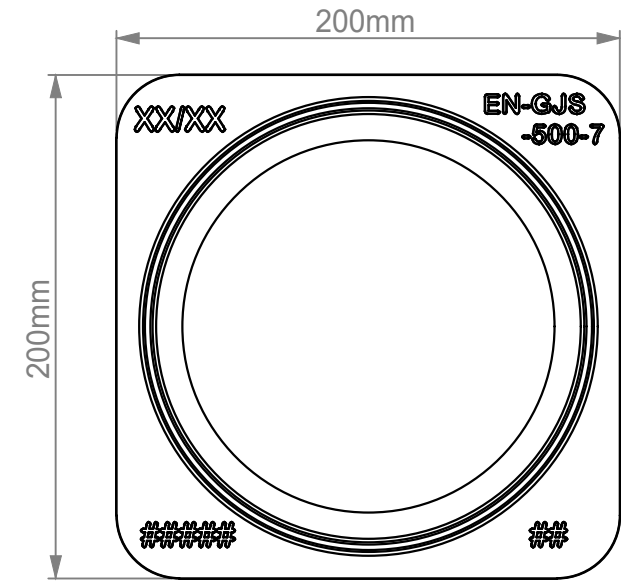
B

C

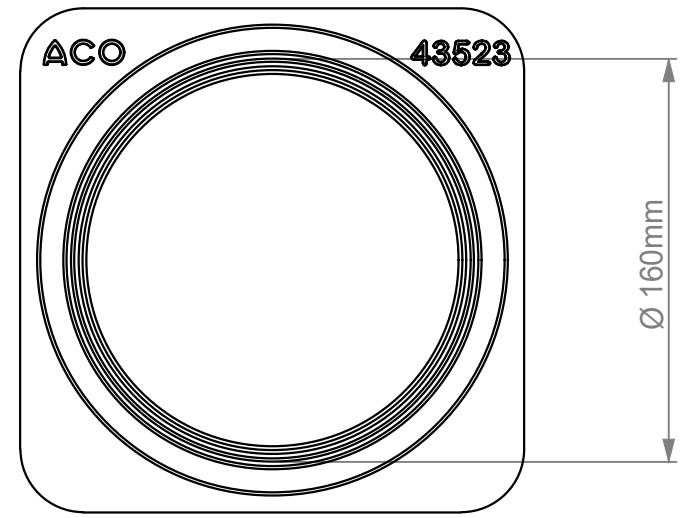
D

E



F



SECTION B-B
SCALE 1 : 10



NOTES:
 * DIMENSIONS ARE FOR INDICATION ONLY AND MAY VARY DUE TO PART MANUFACTURING TOLERANCES AND INSTALLATION DETAILS
 * CLEAR OPENING

1	16/08/2022	INITIAL ISSUE	LB	LB
Issue	Date	Description	Created	Approved
 ACO Technologies plc		ACO Business Park Hitchin Road Shefford Bedfordshire SG17 5TE, UK Tel: 01462 816666 www.aco.co.uk	Drawing Number: E1-M01-684-1 Part Number: 43523	
Created by: LB Created at: 28/07/2022		Projection: ISO-A  Units: mm	Format: A3	Scale: 1:3
Protection note: DIN ISO 16016		Information contained in this drawing is copyright property of ACO Technologies plc. Any reproduction in part or whole without written permission of ACO Technologies plc is prohibited		
			Sheet: 1 of 1	

1 2 3 4 5 6 7 8