

1 2 3 4 5 6 7 8

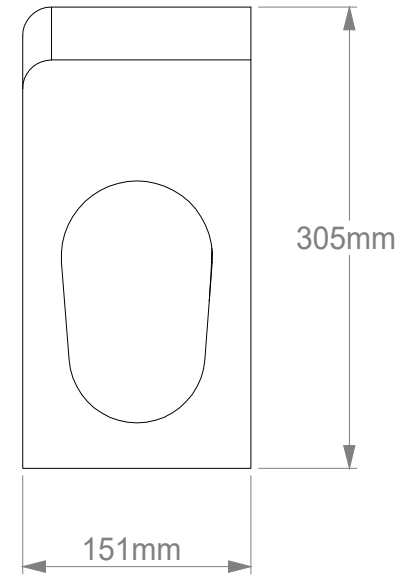
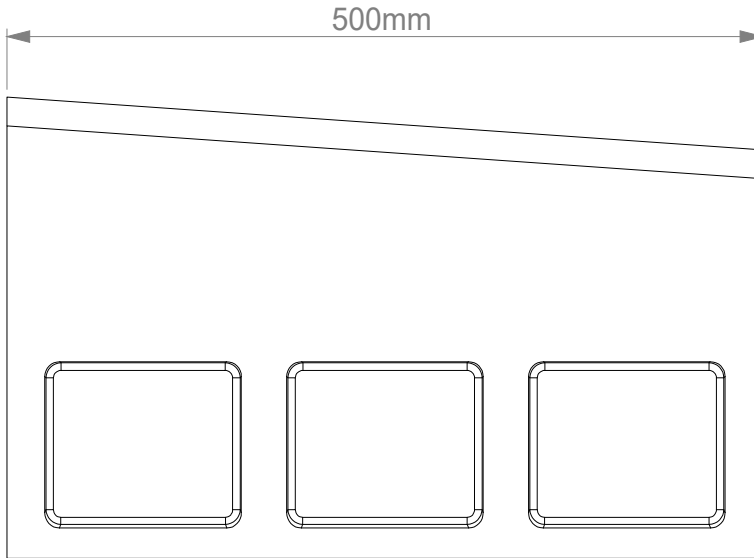
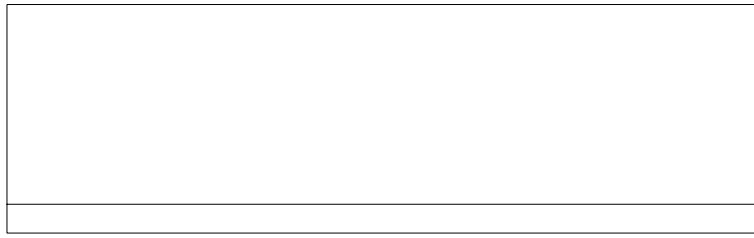
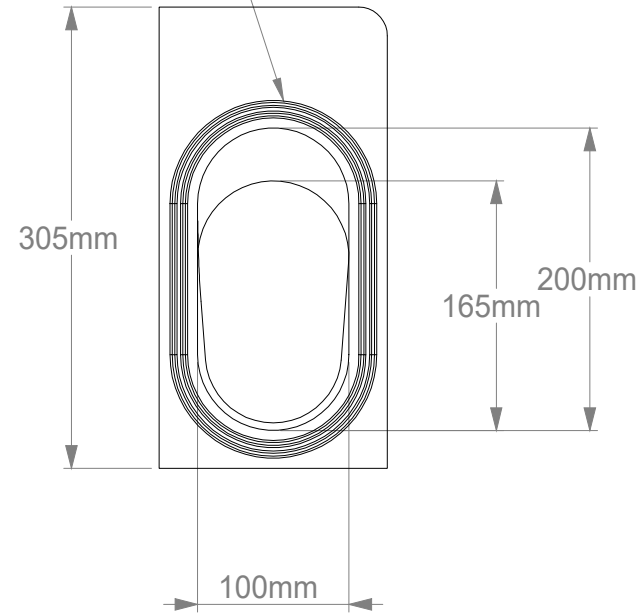
A

A

B

B

SEALANT GROOVE  
10 x 3mm DEEP



C

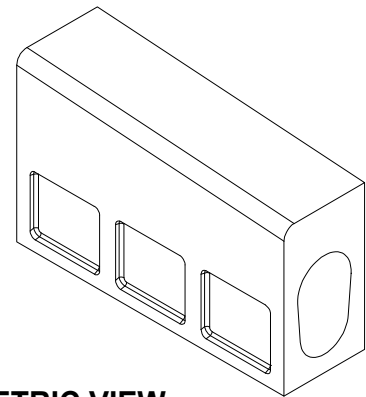
C

D

D

E

E




**ISOMETRIC VIEW**  
SCALE: 1:10

F

F

**NOTES:**  
 \* DIMENSIONS ARE FOR INDICATION ONLY AND MAY VARY DUE TO PART  
 \* MANUFACTURING TOLERANCES AND INSTALLATION DETAILS  
 \* CLEAR OPENING

B	02/03/2023	N/A	CH	CH
Issue	Date	Description	Created	Approved
 ACO Technologies plc		ACO Business Park Hitchin Road Shefford Bedfordshire SG17 5TE, UK Tel: 01462 816666 www.aco.co.uk	Drawing Number: E1-M01-693-1 Part Number: 32721	
Title: <b>KERBDRAIN CYCLEKERB BN305 LH DROP KERB 60MM TO 25MM UPSTAND</b>			Format: <b>A3</b>	Scale: <b>1:5</b>
Created by: CH Created at: 21/12/2022		Projection: ISO-A	Units: mm	Sheet: <b>1 of 1</b>
Protection note: DIN ISO 16016			Information contained in this drawing is copyright property of ACO Technologies plc. Any reproduction in part or whole without written permission of ACO Technologies plc is prohibited	

1 2 3 4 5 6 7 8