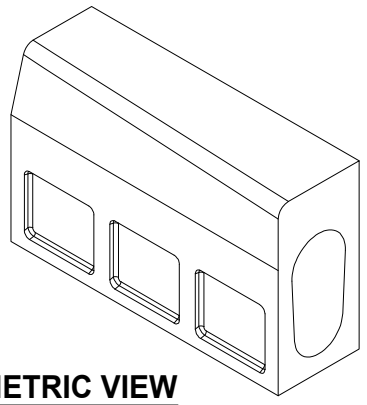
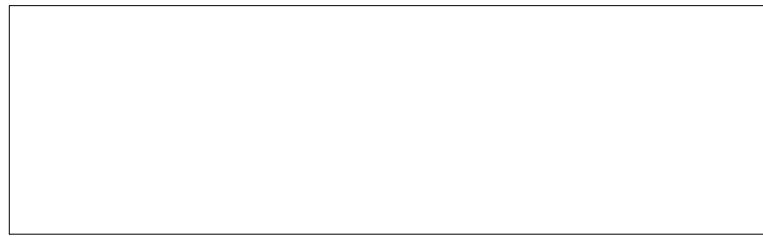
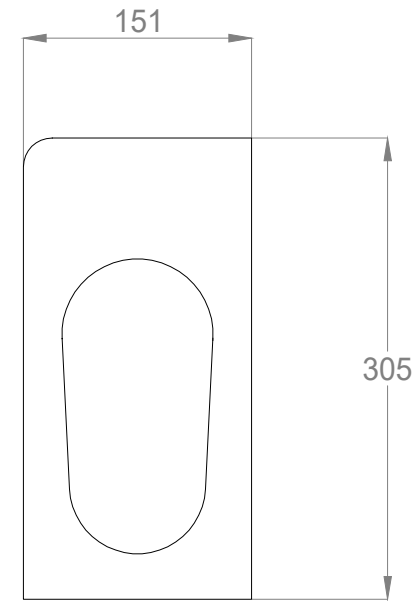
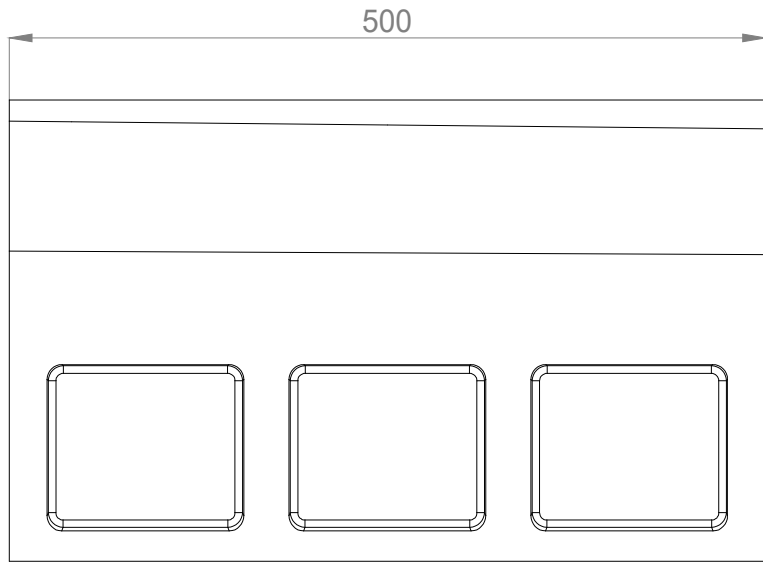
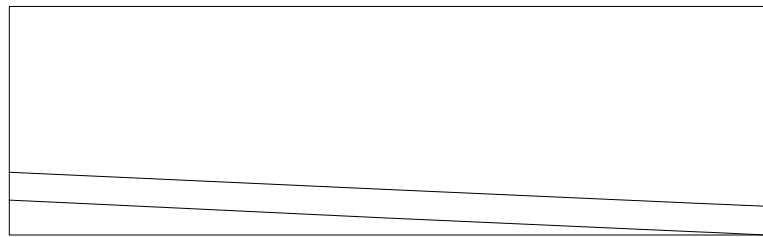
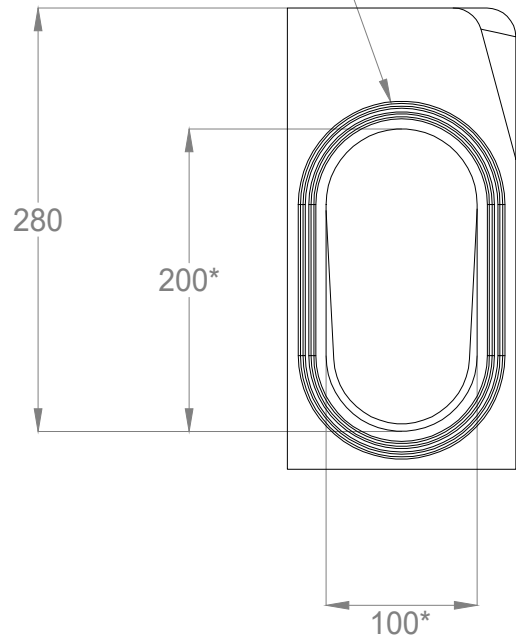



SEALANT GROOVE  
10 x 3mm DEEP



**ISOMETRIC VIEW**  
SCALE: 1:10

**NOTES:**  
 • DIMENSIONS ARE FOR INDICATION ONLY AND MAY VARY DUE TO PART MANUFACTURING TOLERANCES AND INSTALLATION DETAILS  
 • \* CLEAR OPENING

A	21/12/2022	RELEASED FOR PRODUCTION	CH	CH
Issue	Date	Description	Created	Approved
 ACO Technologies plc		ACO Business Park Hitchin Road Shefford Bedfordshire SG17 5TE, UK Tel: 01462 816666 www.aco.co.uk	Drawing Number: E1-M01-695-1 Part Number: 32723	
Created by: CH		Created at: 21/12/2022	Projection: ISO-A	Units: mm
Protection note: DIN ISO 16016		Title: <b>CYCLEKERB BN305 LH TRANSITION          HB TO BULLNOSE</b>		Format: <b>A3</b> Scale: <b>1:5</b> Sheet: <b>1 of 1</b>