

1 2 3 4 5 6 7 8

A

B

C

D

E

F

A

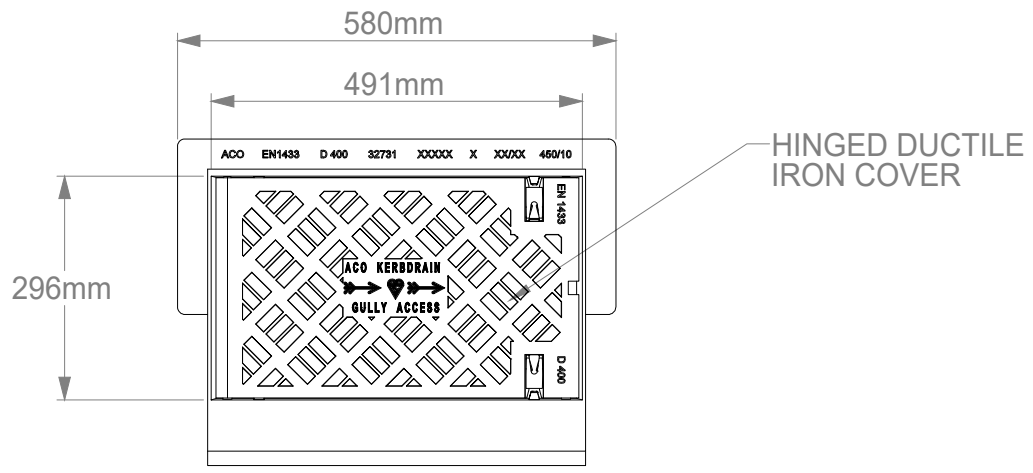
B

C

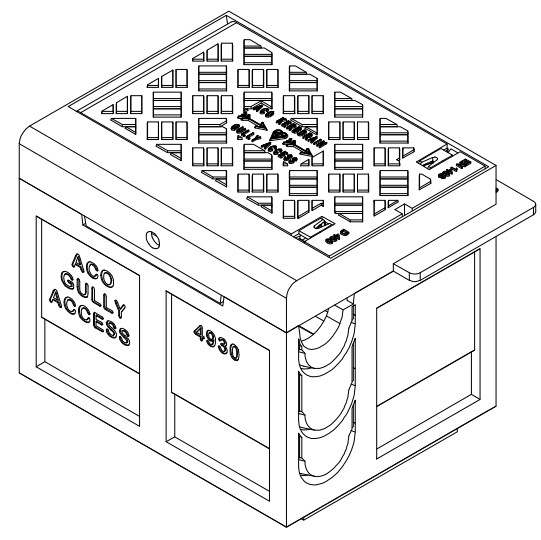
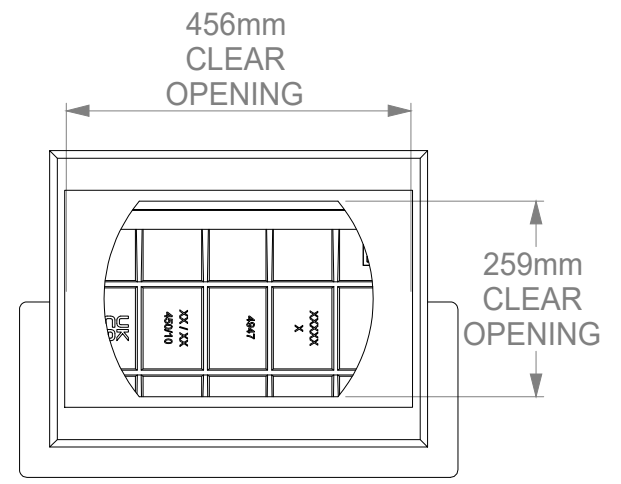
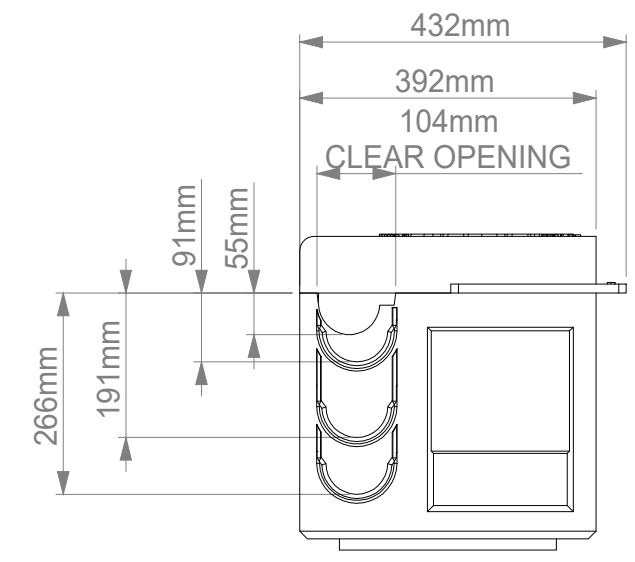
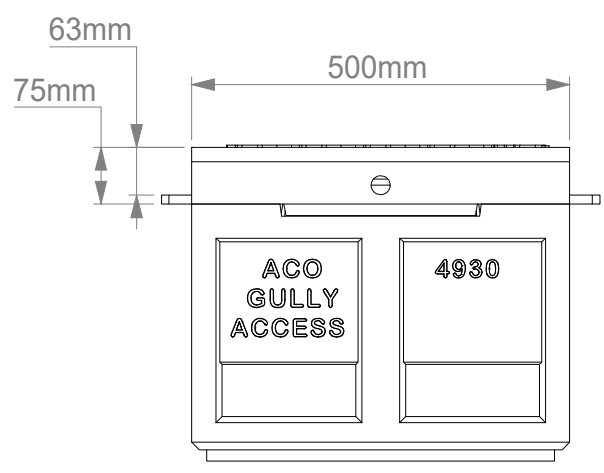
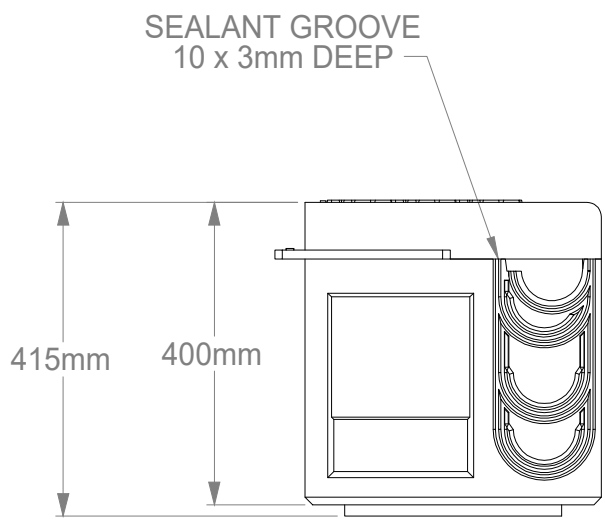
D

E

F



HINGED DUCTILE IRON COVER



ISOMETRIC VIEW
SCALE: 1:10

NOTES:
 • DIMENSIONS ARE FOR INDICATION ONLY AND MAY VARY DUE TO PART MANUFACTURING TOLERANCES AND INSTALLATION DETAILS
 • * CLEAR OPENING

A	13/03/2023	RELEASED FOR PRODUCTION	CH	CH
Issue	Date	Description	Created	Approved
		ACO Business Park Hitchin Road Shefford Bedfordshire SG17 5TE, UK Tel: 01462 816666 www.aco.co.uk	Part Number: 32726	
		Drawing Number: E1-M01-698-1	Title: KERBDRAIN BULLNOSE GULLY ACCESS TOP ASSEMBLY	
Created by: CH		Created at: 22/12/2022	Projection: ISO-A	Units: mm
Protection note: DIN ISO 16016			Format: A3	Scale: 1:10
			Information contained in this drawing is copyright property of ACO Technologies plc. Any reproduction in part or whole without written permission of ACO Technologies plc is prohibited	
			Sheet: 1 of 1	

1 2 3 4 5 6 7 8