

1 2 3 4 5 6

A A

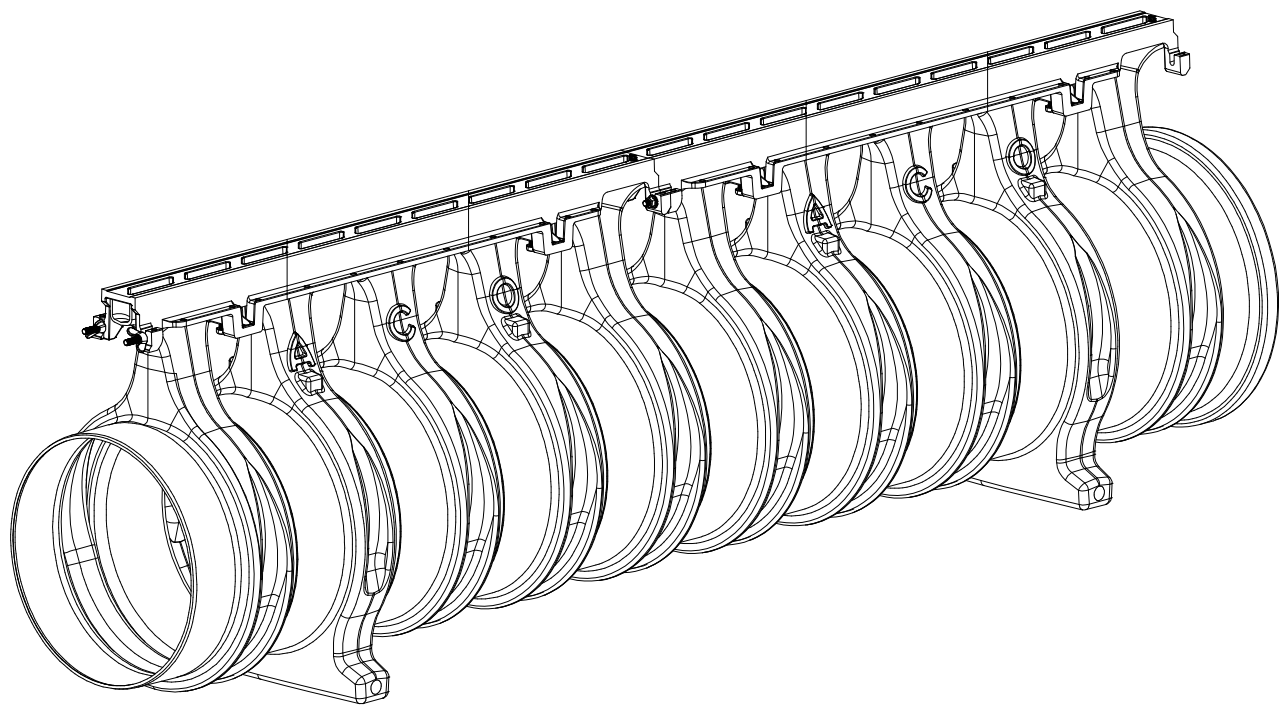
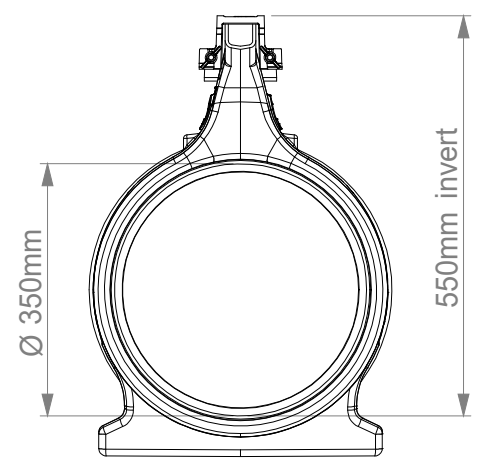
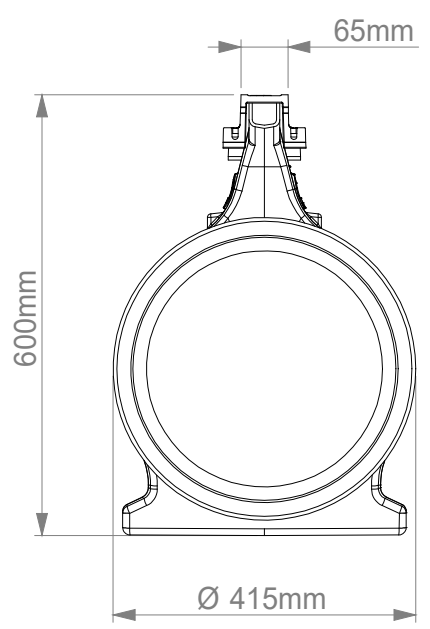
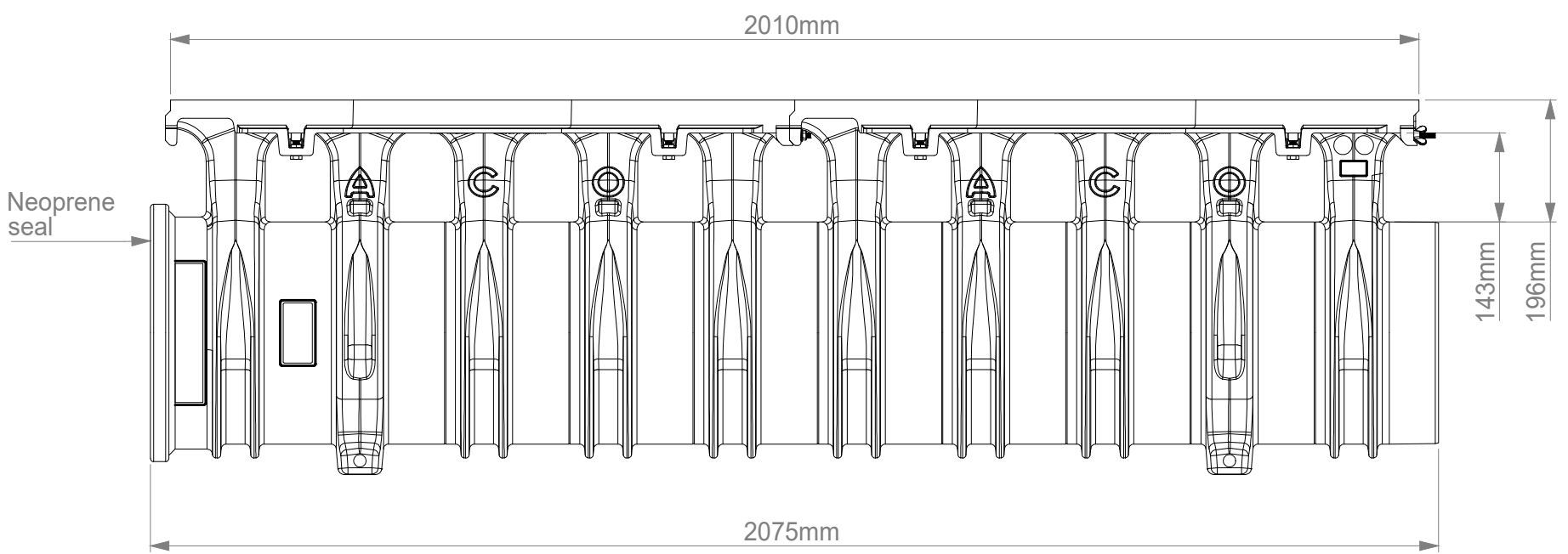
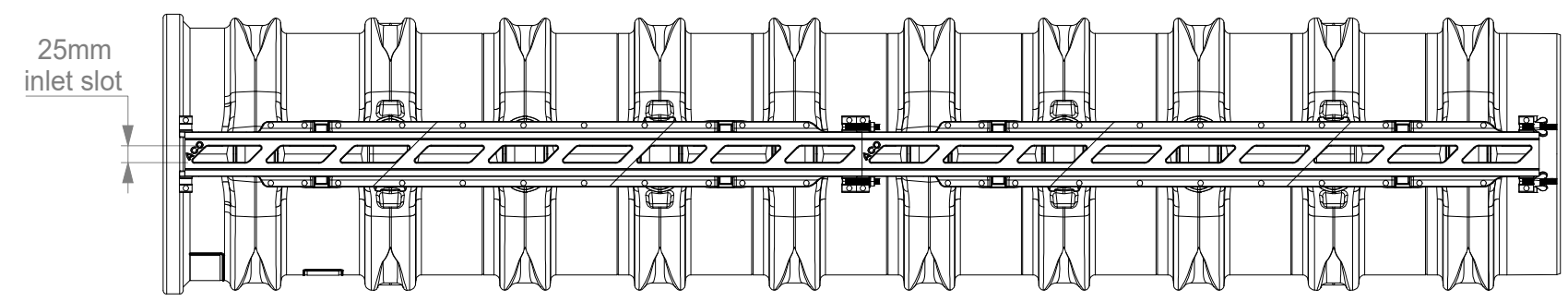
B B

C C


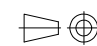
D D

E E

F F



PART NUMBER	EDGE RAIL COLOUR
32915	BLACK
32917	GREY

Version	Date	Description	Name
 ACO Technologies plc	ACO Business Park Hitchin Road Shefford Bedfordshire SG17 5TE, UK Tel: 01462 816666 www.aco.co.uk	Drawing Number: E1-M01-446-1	Part Number: 32915 / 32917
		Title: Qmax 350 CHANNEL ASSEMBLY Q-FLOW COMPOSITE EDGE RAIL	
Created by: AJ	Released by: AJ	Projection: ISO-A 	Units: mm
Created at: 26.6.2017	Released at: 27.6.2017		Protection note: DIN ISO 16016
Replacement for:	Replaced by:	Information contained in this drawing is copyright property of ACO Technologies plc. Any reproduction in part or whole without written permission of ACO Technologies plc is prohibited	
			Format: A3
			Scale: 1:10
			Sheet: 1 of 1

NOTES:
 DIMENSIONS ARE FOR INDICATION ONLY AND MAY VARY DUE TO PART MANUFACTURING TOLERANCES AND INSTALLATION DETAILS

1 2 3 4 5 6