



ACO. creating  
the future of drainage

## NEW! ACO Vertical Silt Basket

ACO's Vertical silt basket is a simple way to catch sediment and debris in a vertical outlet.

This stainless steel basket allows water to exit from the bottom and sides of the basket, reducing blockages in the pipe system.

Compatible with ACO MultiDrain® channels which feature a Ø110mm knockout, the basket enables silt removal within shallow installations where depth is restricted and where standard depth sump units are not able to be installed. Raised platforms, walkways, podiums and rail platforms may all have restricted depths, and this silt basket allows sediment removal before the water enters the pipe system.



ACO Vertical Silt Basket

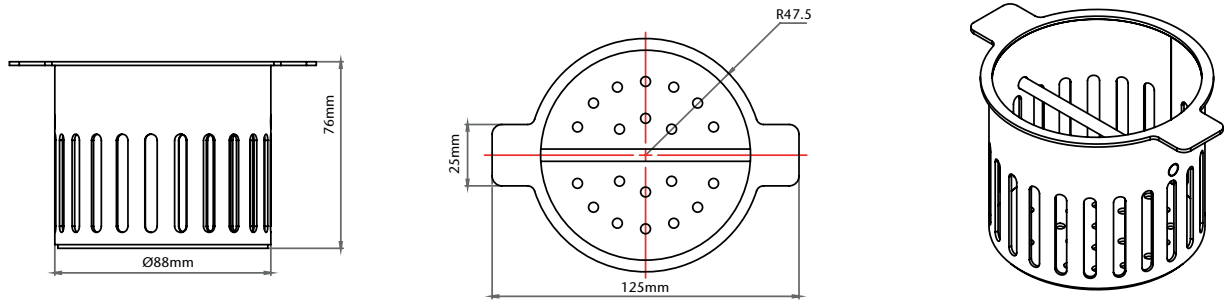
### Benefits

- Allows sediment removal in Ø110mm vertical outlets
- Easy to access and clean
- Robust and easy to clean stainless steel

### Applications

- Rail platforms and rail building curtilage with depth restrictions
- Podiums or raised walkways with depth restrictions

## System Overview

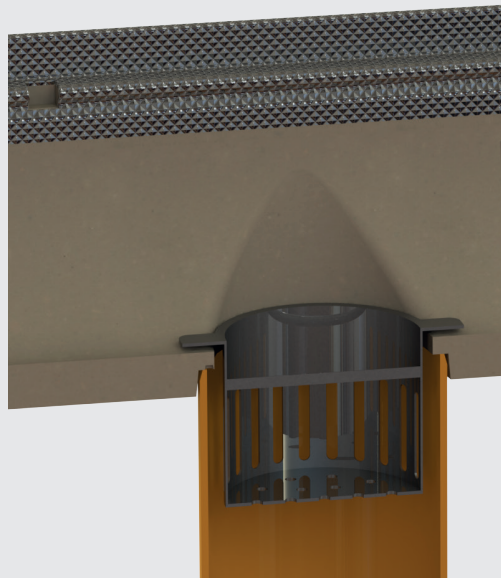


Side view

Top view

Product Code	Description	Width	Length	Height	Weight
		mm	mm	mm	kg
<b>ACO Vertical Silt Basket</b>					
132378	Vertical silt basket for use with Ø110mm pipe	125	95	76	0.3

- Location tabs keep basket secure
- Lifting bar makes maintenance quick and easy
- Durable stainless steel construction
- Compatible with ACO MultiDrain® channels with 110mm vertical knockout



**ACO Water Management Contacts:**  
 Sales: [customersupport@aco.co.uk](mailto:customersupport@aco.co.uk)  
 Technical: [technical@aco.co.uk](mailto:technical@aco.co.uk)  
 Tel: 01462 816666  
[www.aco.co.uk](http://www.aco.co.uk)

ACO. creating  
the future of drainage

