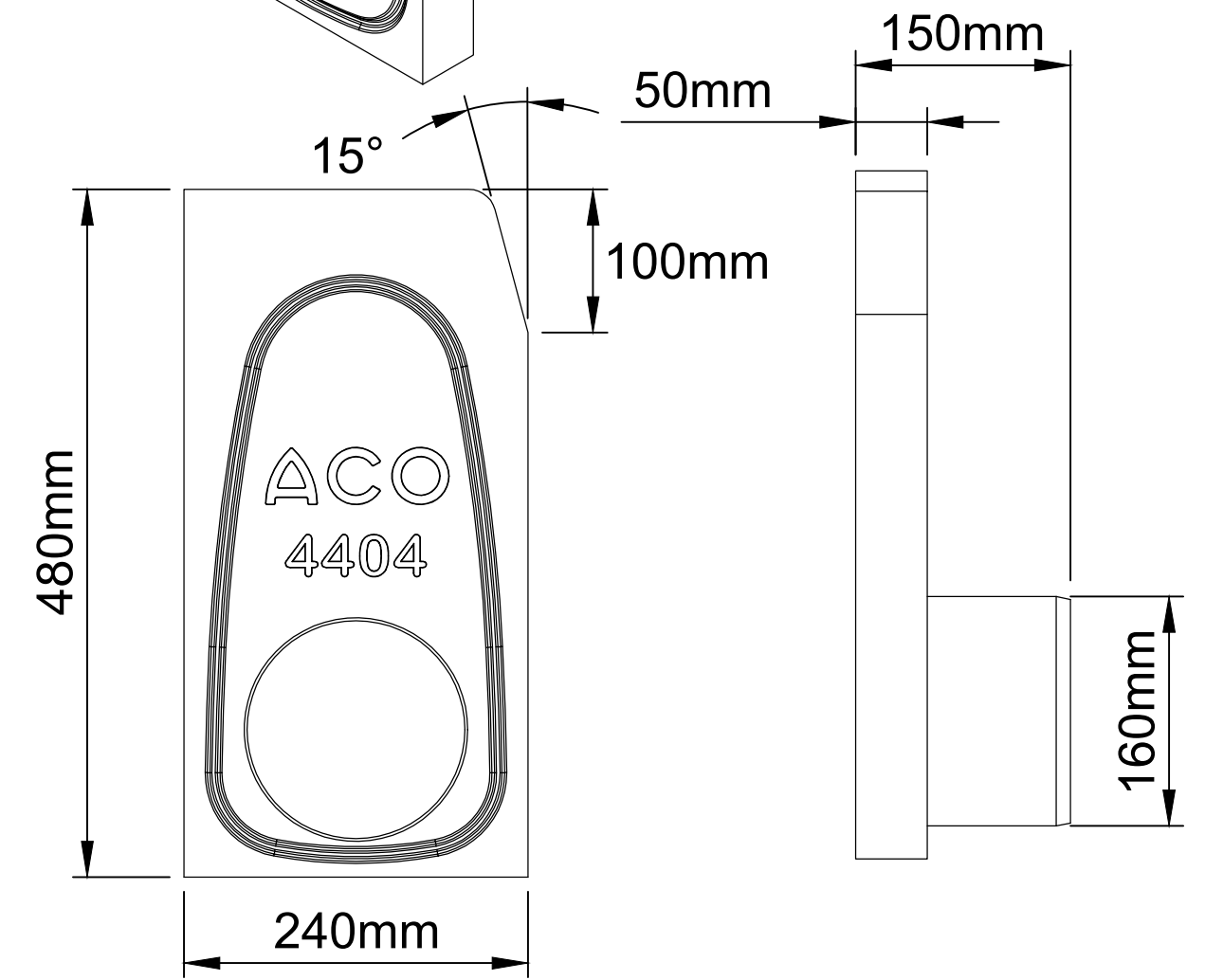
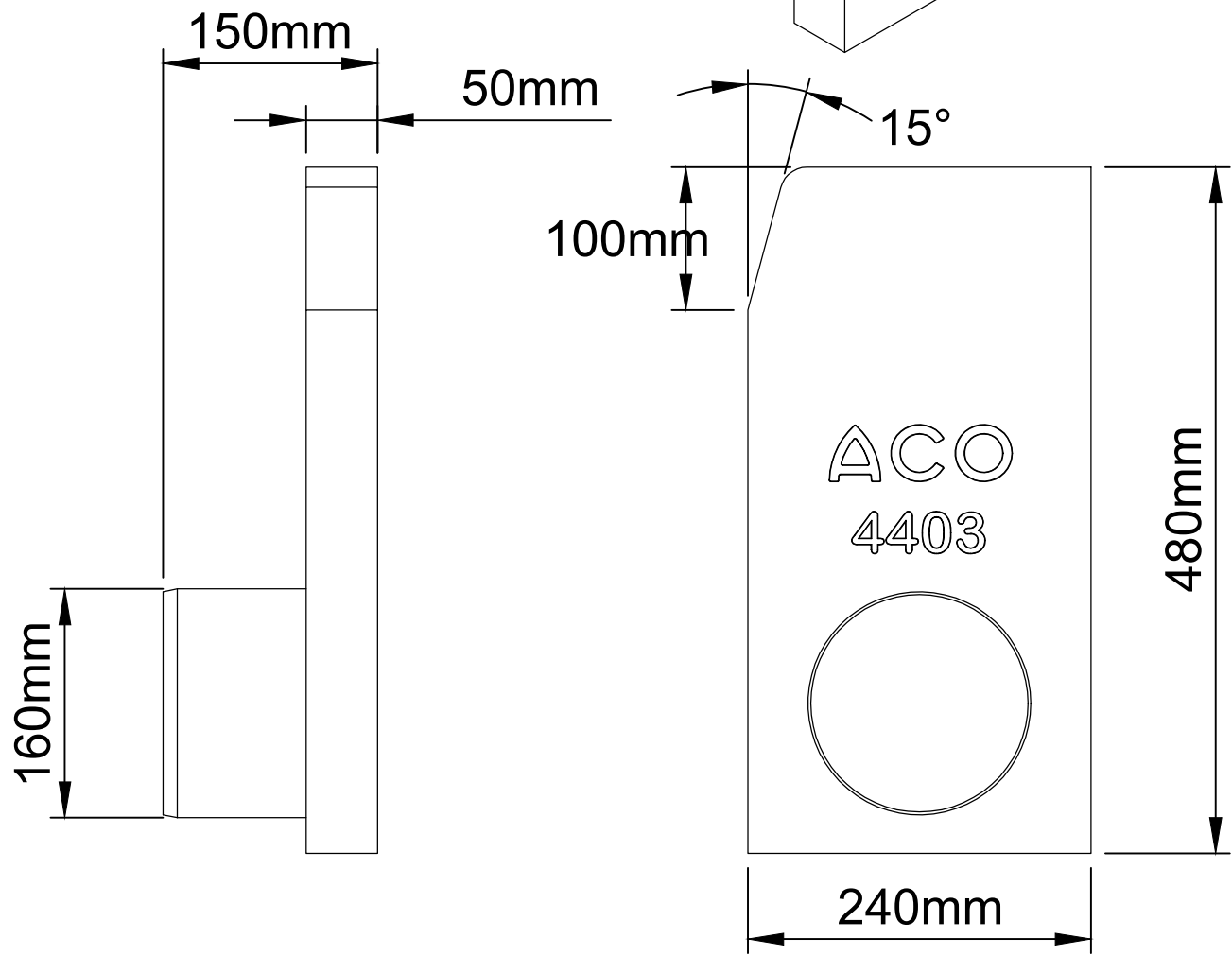
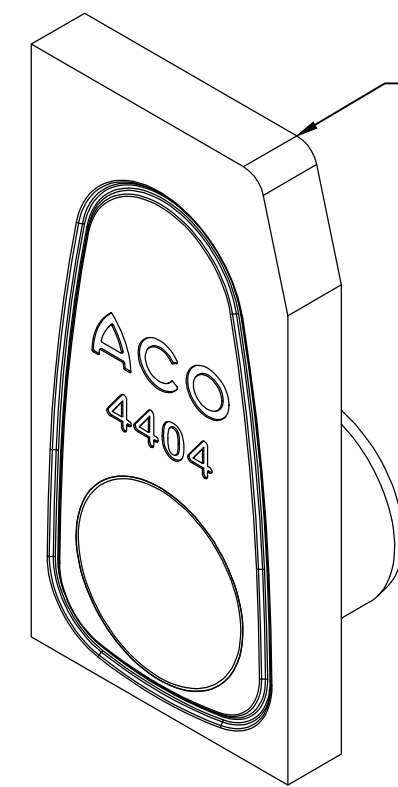
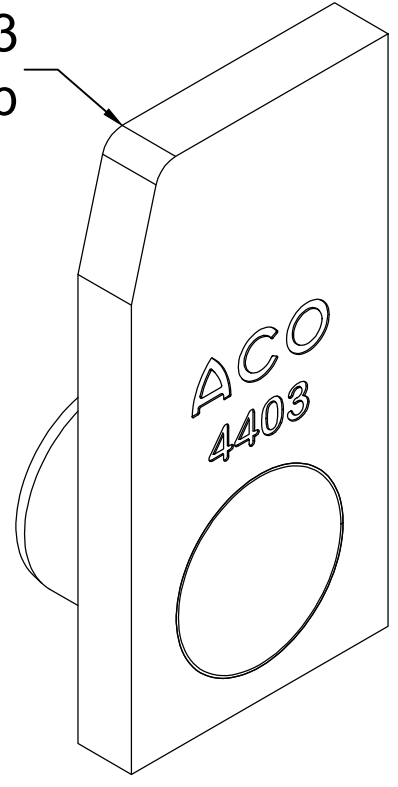
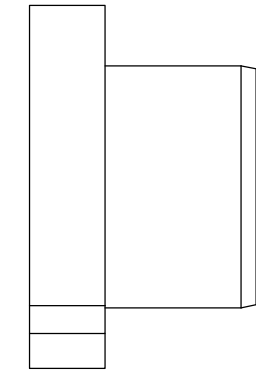
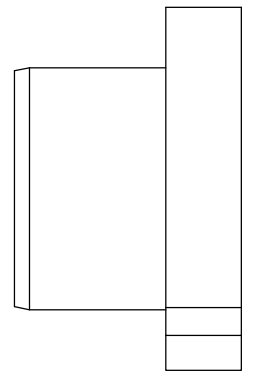



4403
HD480 E+ LH Outlet End Cap

4404
HD480 E+ RH Outlet End Cap



NOTES:
 • DIMENSIONS ARE FOR INDICATION ONLY AND MAY VARY DUE TO PART MANUFACTURING TOLERANCES AND INSTALLATION DETAILS
 • * CLEAR OPENING

1	05/11/2021	INITIAL ISSUE	LB	LB
Issue	Date	Description	Created	Approved
 ACO Technologies plc ACO Business Park Hitchin Road Shefford Bedfordshire SG17 5TE, UK Tel: 01462 816666 www.aco.co.uk		Drawing Number: E1-M01-655-1 Title: HB480 E+ LH OUTLET END CAP & HB480 E+ RH OUTLET ENDCAP	Part Number: 4403 & 4404	
Created by: LB Protection note: DIN ISO 16016		Created at: 05/11/2021 Projection: ISO-A	Units: mm Format: A3	Scale: 1:1 Sheet: 1 of 1