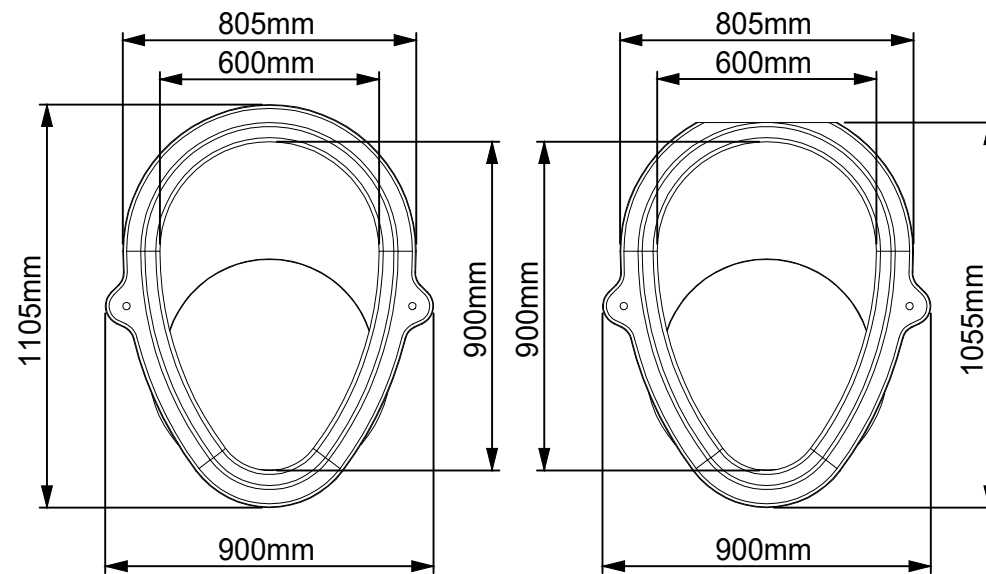
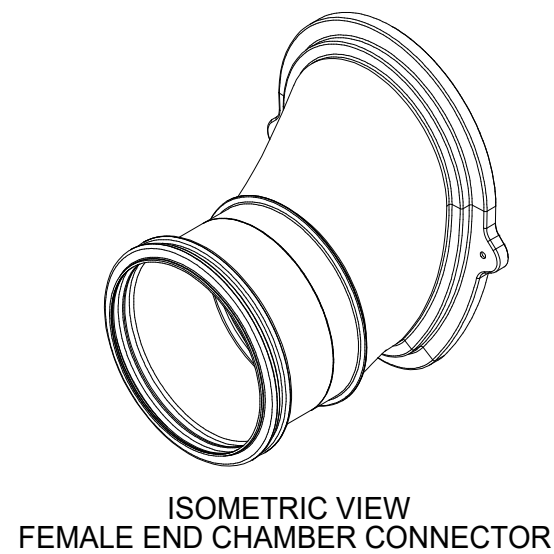


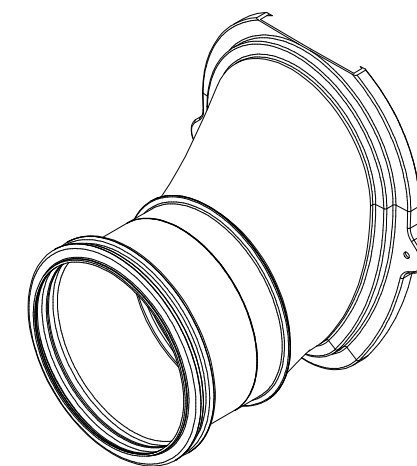
ACO Qmax 900 FEMALE END CHAMBER CONNECTOR



ACO Qmax 900 MALE END CHAMBER CONNECTOR


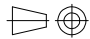


ISOMETRIC VIEW  
FEMALE END CHAMBER CONNECTOR



ISOMETRIC VIEW  
MALE END CHAMBER CONNECTOR

- NOTES:**
- DIMENSIONS ARE FOR INDICATION ONLY AND MAY VARY DUE TO PART MANUFACTURING TOLERANCES AND INSTALLATION DETAILS
  - \* CLEAR OPENING

| Version   | Date  | Description   | Name                           |
|---|---|---|--------------------------------|
| <br>ACO Technologies plc | ACO Business Park<br>Hitchin Road<br>Shefford<br>Bedfordshire<br>SG17 5TE, UK<br>Tel: 01462 816666<br>www.aco.co.uk | Drawing Number: E1-M01-209-1  | Part Number: 32846             |
|   |   | Title:<br><b>QMAX 900<br/>           CHAMBER CONNECTOR ASSEMBLY (PAIR)</b>  |                                |
| Created by: DEN   | Released by: DEN  | Projection: ISO-A    | Units: mm                      |
| Created at: 13.10.2015  | Released at: 14.10.2015   |   | Protection note: DIN ISO 16016 |
| Replacement for:  | Replaced by:  | Information contained in this drawing is copyright property of ACO Technologies plc. Any reproduction in part or whole without written permission of ACO Technologies plc is prohibited |                                |
|   |   |   | Scale: <b>1:20</b>             |
|   |   |   | Sheet: <b>1 of 1</b>           |