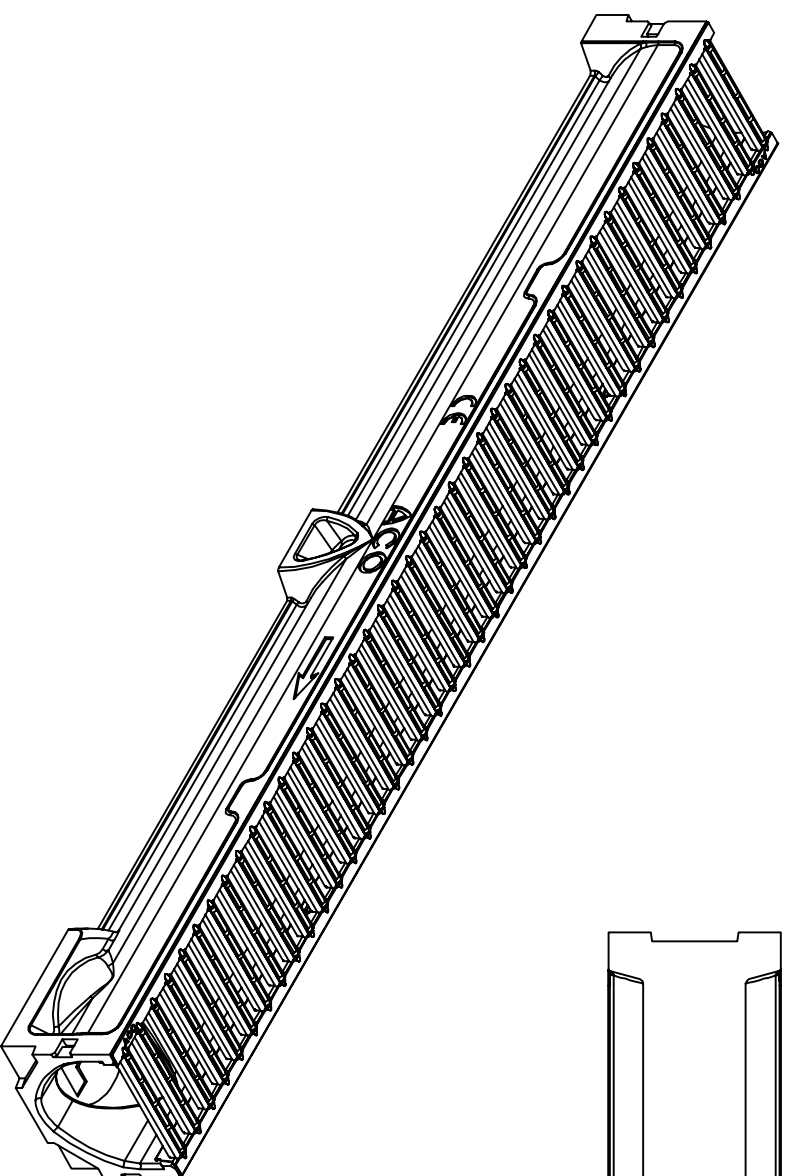



Ø 110 KNOCKOUT FOR PVC-U
PIPE CONNECTION



Version	Date	Description	Name
Created by: JEC	Released by: JEC	ACO ACO Business Park Hitchin Road Shefford Bedfordshire SG17 5TE, UK Tel: 01462 816666 www.aco.co.uk	RAINDRAIN CHANNEL WITH GALVANISED STEEL GRATING A15
Created at: 1.3.2016	Released at: 1.3.2016		
Replacement for:	Replaced by:	Title: RAINDRAIN CHANNEL WITH GALVANISED STEEL GRATING A15	Units: mm Protection note: DIN ISO 16016 Scale: 1:5 Format: A3
Projection: ISO-A 		Information contained in this drawing is copyright property of ACO Technologies plc. Any reproduction in part or whole without written permission of ACO Technologies plc is prohibited.	Sheet: 1 of 1

NOTES:
 * DIMENSIONS ARE FOR INDICATION ONLY AND MAY VARY DUE TO PART
 MANUFACTURING TOLERANCES AND INSTALLATION DETAILS
 * CLEAR OPENING