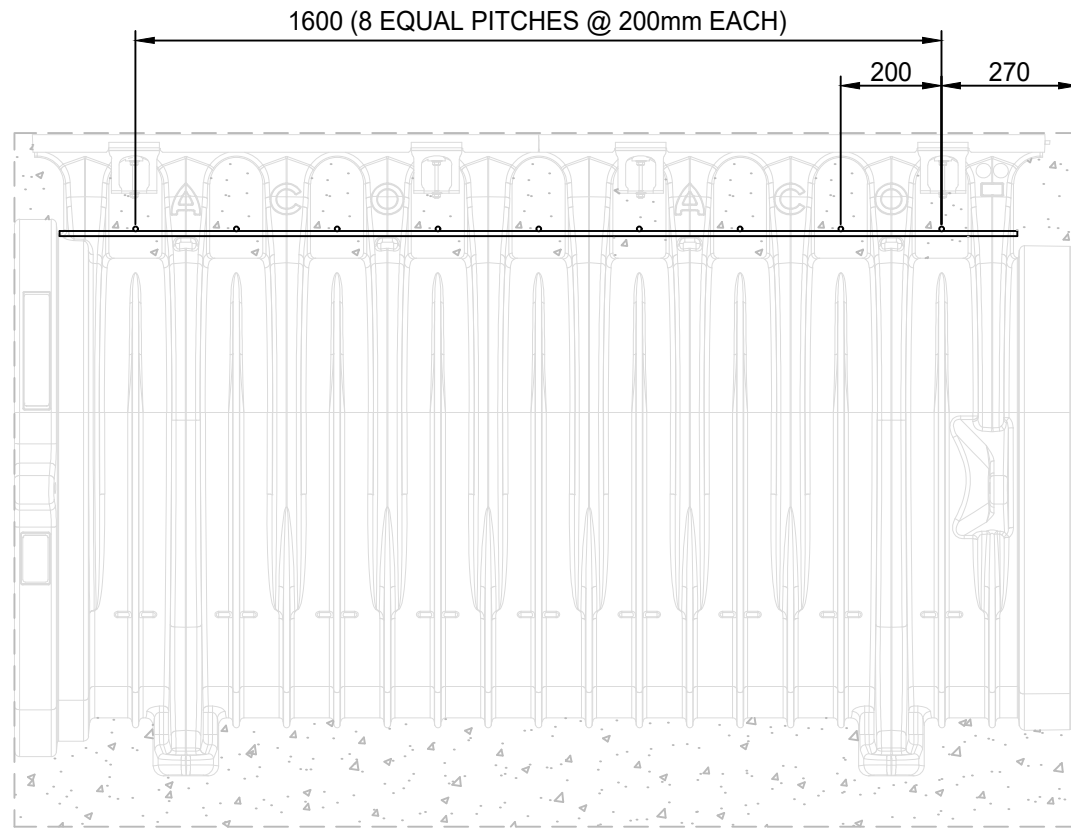
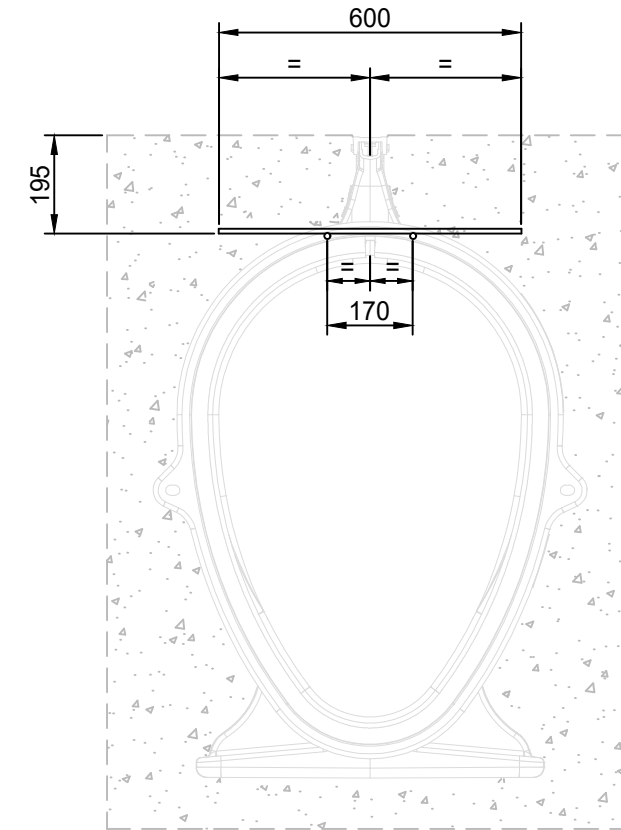


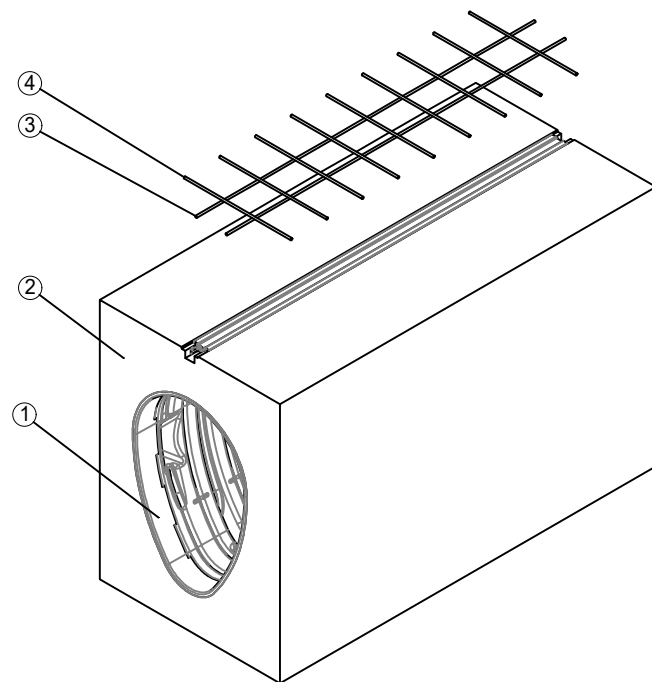
Front View on Qmax 900 Top Reinforcement




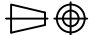
Section View on Qmax 900 Top Reinforcement



Isometric View on Qmax 900 Top Reinforcement



ITEM No.	DESCRIPTION	Qty.
1	Qmax 900 CHANNEL LOAD CLASS D400	1
2	C30/37 CONCRETE	
3	T12 RE-BAR 1900mm LG	2
4	T12 RE-BAR 600mm LG	9

C	7.6.2022	Table updated	RB
B	28.6.2016	Updated title block	TS
Version	Date	Description	Name
 ACO Technologies plc	ACO Business Park Hitchin Road Shefford Bedfordshire SG17 5TE, UK Tel: 01462 816666 www.aco.co.uk	Drawing Number: 22559	Revision: C
		ACO QMAX 900 CHANNEL TOP REINFORCEMENT DETAIL DRAWING	
Created by: TS	Released by: TS	Projection: ISO-A 	Units: mm
Created at: 7.6.2016	Released at: 28.6.2016		Format: A3
Replacement for:	Replaced by:	Information contained in this drawing is copyright property of ACO Technologies plc. Any reproduction in part or whole without written permission of ACO Technologies plc is prohibited	Scale: 1 : 15
			Sheet: 1 of 1