

ACO UniPave™

FACTA-rated paving covers for external public spaces

Product Catalogue



Features and benefits

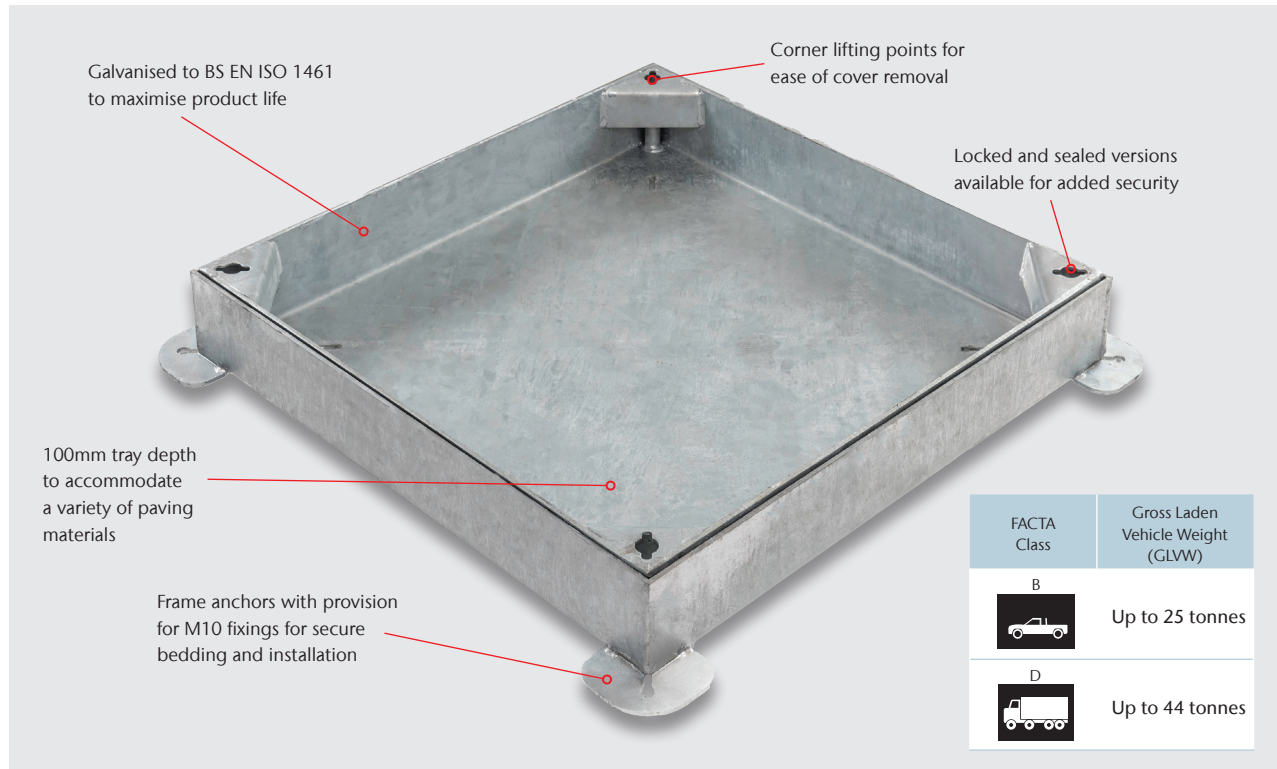
ACO Paving Covers are designed and manufactured in the UK and engineered to integrate seamlessly into public spaces, providing discreet access to underground utilities while maintaining paved area aesthetics.

Made from galvanised steel to maximise product life, the covers are tested in accordance with the FACTA specification.

With a 100mm deep tray, these covers accommodate infill with paving blocks, ensuring they blend effortlessly with surrounding surfaces.

A range of clear openings of between 200mm and 1220mm, either plain-seated or locked and sealed, are available on short lead times.

Bespoke sizes are available on request to meet specific project requirements.



Features

- Manufactured in galvanised steel
- 12 clear opening sizes (200mm to 1220mm) and a 100mm tray depth
- FACTA B or FACTA D load rating
- Single and multi-part covers
- Plain seated or locked & sealed
- Multi-part covers supported with easy-to-remove beam
- Manufactured in the UK using recycled material

Benefits

- Zinc coated to provide durable protection against corrosion to ensure long product life and resilience
- Covers available suit many applications and a range of paving materials up to 80mm thick
- Suited to applications with slow-moving traffic up to 25 or 44 tonnes ¹
- Multi-part covers provide ease of accessibility
- Locked versions provide added security
- Beam provides additional support to ensure products satisfy load requirements
- Reduced embedded carbon and 100% recyclable at end of life

Typical applications include:



Paved Areas



Car Parks



Transport Yards



Airports



Station Platforms

¹ Slow moving wheel loads are deemed to be speeds no greater than 20mph.



Technical data

Product	Clear Opening (AxB) [mm]	Overall Frame Size (Cx D) [mm]	Overall Frame Height (E) [mm]	Cover Drop Depth (F) [mm]	Internal Tray Depth [mm]	Weight [kg]	FACTA ³	Lead Time
ACO UniPave™ GS - Galvanised steel recessed access covers - Plain seated								
41550	300 x 300	406 x 406	107	90	100	18	B	3-5 days
41551	450 x 450	556 x 556	107	90	100	26	B	3-5 days
41552	600 x 450	706 x 556	107	90	100	31	B	3-5 days
41553	600 x 600	706 x 706	107	90	100	35	B	3-5 days
41554	675 x 675	781 x 781	107	90	100	40	B	3-5 days
41555	750 x 600	856 x 706	107	90	100	40	B	3-5 days
41556	750 x 750	856 x 856	107	90	100	45	B	3-5 days
41557	900 x 600	1006 x 706	107	90	100	45	B	3-5 days
41558	900 x 750	1006 x 856	107	90	100	50	B	3-5 days
41559 ²	900 x 900	1006 x 1006	107	90	100	74	B	3-5 days
41560 ²	1200 x 600	1306 x 706	107	90	100	65	B	3-5 days
41561 ²	1220 x 675	1326 x 781	107	90	100	71	B	3-5 days
41562	300 x 300	410 x 410	111	100	100	29	D	3-5 days
41563	450 x 450	560 x 560	111	100	100	43	D	3-5 days
41564	600 x 450	710 x 560	111	100	100	51	D	3-5 days
41565	600 x 600	710 x 710	111	100	100	58	D	3-5 days
41566	675 x 675	785 x 785	111	100	100	66	D	3-5 days
41567	750 x 600	860 x 710	111	100	100	73	D	3-5 days
41568	750 x 750	860 x 860	111	100	100	82	D	3-5 days
41569	900 x 600	1010 x 710	111	100	100	83	D	3-5 days
41570	900 x 750	1010 x 860	111	100	100	92	D	3-5 days
41571 ²	900 x 900	1010 x 1010	111	100	100	132	D	3-5 days
41572 ²	1200 x 600	1310 x 710	111	100	100	118	D	3-5 days
41573 ²	1220 x 675	1330 x 785	111	100	100	127	D	3-5 days

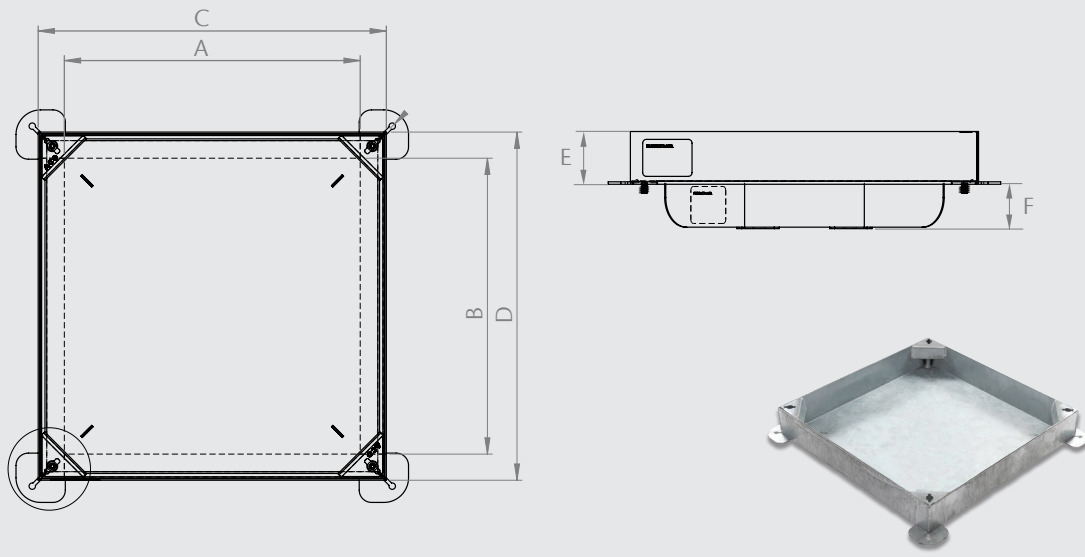
ACO UniPave™ GS - Galvanised steel recessed access covers - Locked and sealed

41574	300 x 300	406 x 406	107	90	100	18.2	B	5-10 days
41575	450 x 450	556 x 556	107	90	100	26.2	B	5-10 days
41576	600 x 450	706 x 556	107	90	100	31.2	B	5-10 days
41577	600 x 600	706 x 706	107	90	100	35.2	B	5-10 days
41578	675 x 675	781 x 781	107	90	100	40.2	B	5-10 days
41579	750 x 600	856 x 706	107	90	100	40.2	B	5-10 days
41580	750 x 750	856 x 856	107	90	100	45.2	B	5-10 days
41581	900 x 600	1006 x 706	107	90	100	45.2	B	5-10 days
41582	900 x 750	1006 x 856	107	90	100	50.2	B	5-10 days
41583 ²	900 x 900	1006 x 1006	107	90	100	74.2	B	5-10 days
41584 ²	1200 x 600	1306 x 706	107	90	100	65.2	B	5-10 days
41585 ²	1220 x 675	1326 x 781	107	90	100	71.2	B	5-10 days
41586	300 x 300	410 x 410	111	100	100	29.2	D	5-10 days
41587	450 x 450	560 x 560	111	100	100	43.2	D	5-10 days
41588	600 x 450	710 x 560	111	100	100	51.2	D	5-10 days
41589	600 x 600	710 x 710	111	100	100	58.2	D	5-10 days
41590	675 x 675	785 x 785	111	100	100	66.2	D	5-10 days
41591	750 x 600	860 x 710	111	100	100	73.2	D	5-10 days
41592	750 x 750	860 x 860	111	100	100	82.2	D	5-10 days
41593	900 x 600	1010 x 710	111	100	100	83.2	D	5-10 days
41594	900 x 750	1010 x 860	111	100	100	92.2	D	5-10 days
41595 ²	900 x 900	1010 x 1010	111	100	100	132.2	D	5-10 days
41596 ²	1200 x 600	1310 x 710	111	100	100	118.2	D	5-10 days
41597 ²	1220 x 675	1330 x 785	111	100	100	127.2	D	5-10 days

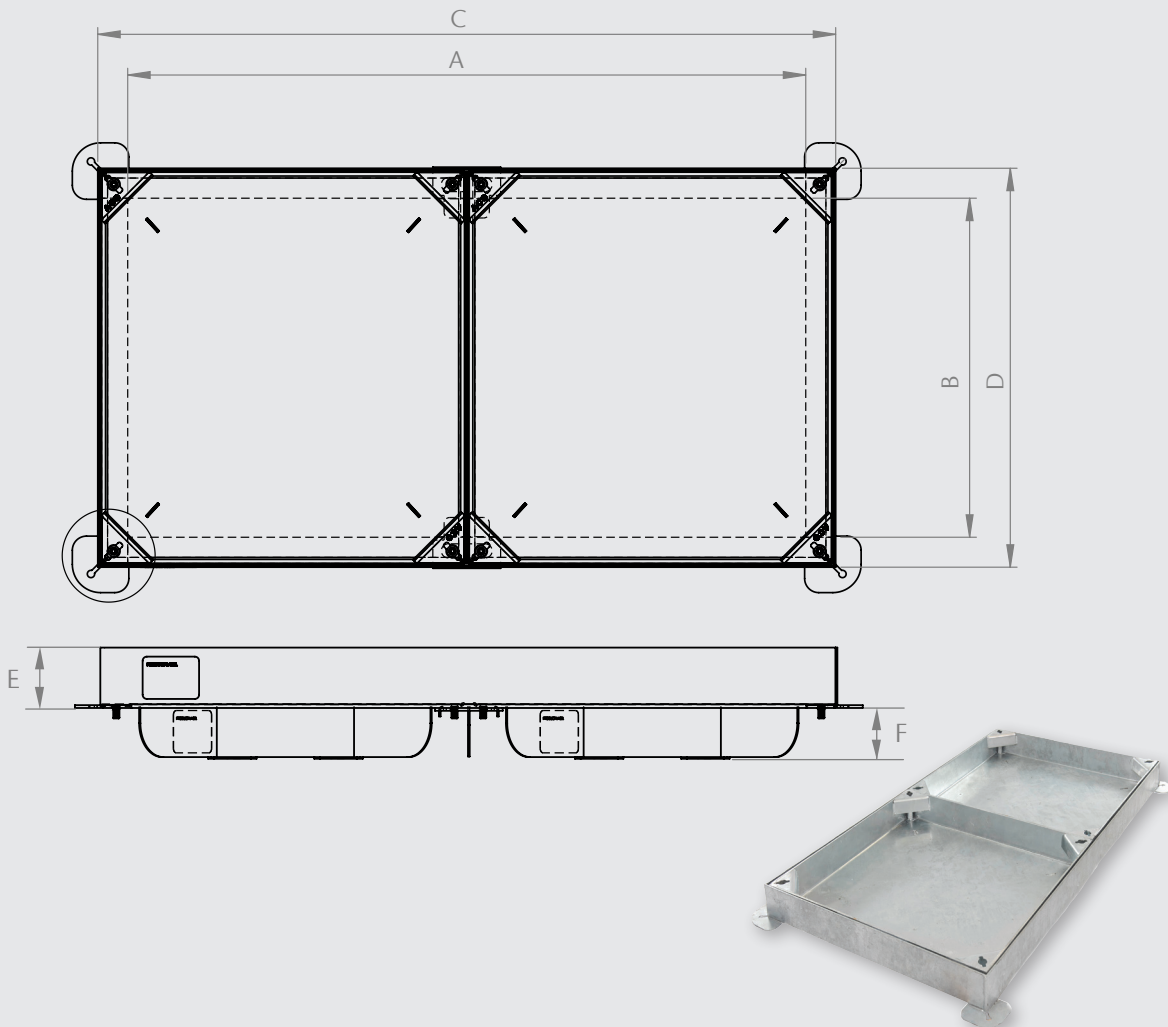
² These products are multi-part covers. ³ Declared load tested to FACTA class B and FACTA class D.

Product	Description	Weight [kg]	Lead Time
ACO UniPave™ GS – Cover spares			
41508	1 x Heavy-duty lifting key (short handle)	0.6	3 - 5days
41509	1 x Heavy-duty lifting key (long handle)	1.4	Call sales
41510	Replacement seal and screws kit	0.2	3 - 5days

Single cover



Multi cover



Why ACO?

ACO has considerable experience of working with the access cover applications across the world. We have extensive experience of designing and manufacturing high quality floor doors and multi-part hatches and covers for projects across a range of sectors worldwide.

Support & Installation

At ACO Building Drainage we are committed to supporting our customers with a complete solution that meets the specific requirements of each application. In addition to our range of solutions, we have the level of in-house technical expertise required to provide customers with guidance and support at every stage of a project from specification, design and installation. Products can be designed to facilitate faster installation specifically especially where time on site is limited and time critical.

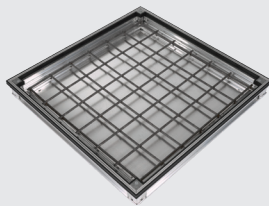


Need others types of Access Covers?

We also manufacture:

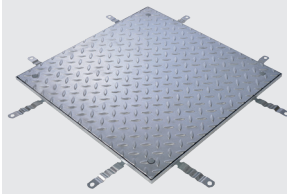
ACO Uniface™

ACO UniFace™ recessed access covers are available in either aluminium, hot dipped galvanised steel or stainless steel grade 304 as standard.



ACO UniTop™

ACO UniTop™ solid access covers are available in either aluminium, hot dipped galvanised steel or stainless steel grade 304 as standard.



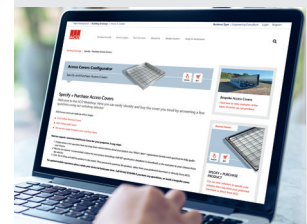
ACO Bespoke Covers

We can also produce be-spoke Access Covers, inspection hatches, floor access panels and service hatches. These can be produced to the size, shape and load class you require.



ACO Webshop

Our ecommerce selector can help you find the access cover you need. Simply answer a few questions about your project to find our recommended solution.



askACO

For further guidance and technical advice, contact our enquiries team who will be pleased to help you with the specification and design of your paving cover solution.

Telephone **01462 810421** or visit www.aco.co.uk/paving-covers

Every product from ACO Building Drainage supports the ACO WaterCycle



-
- ACO Water Management
Civils + Infrastructure
House & Garden
 - ACO Building Drainage
 - ACO Access
 - ACO Sport
 - ACO Wildlife
-

ACO Building Drainage

A division of ACO Technologies plc
ACO Business Centre
Caxton Road
Bedford
Bedfordshire
MK41 0LF

Tel: 01462 810400
e-mail Sales: acsales@aco.co.uk
e-mail Technical: abdtechnical@aco.co.uk

www.aco.co.uk/aco-building-drainage

ACO. we care for water

