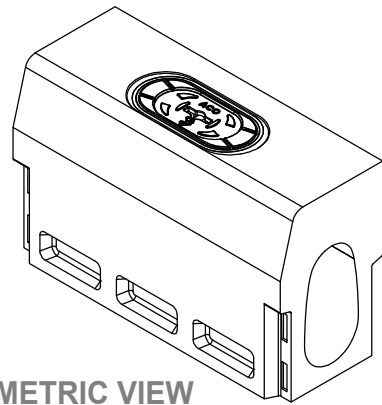
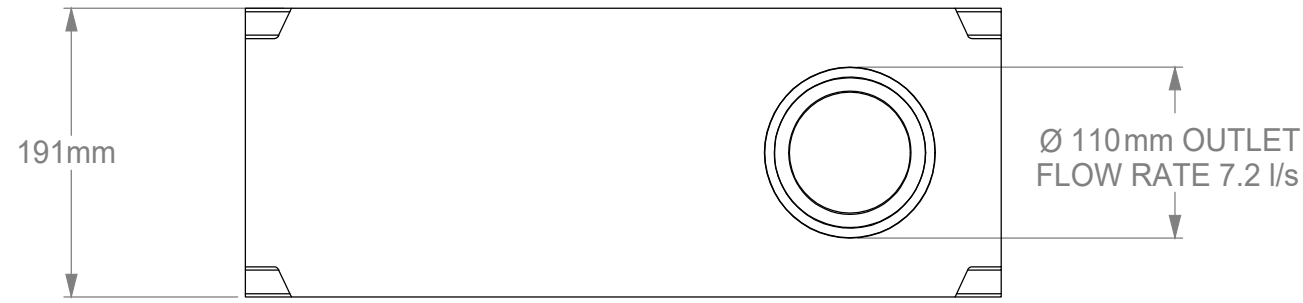
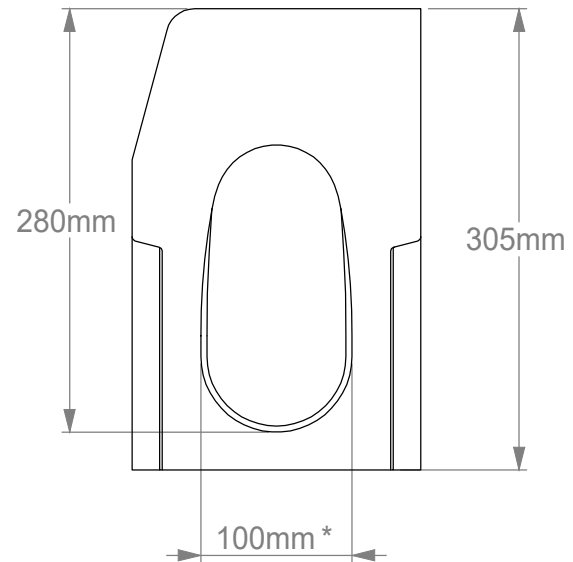
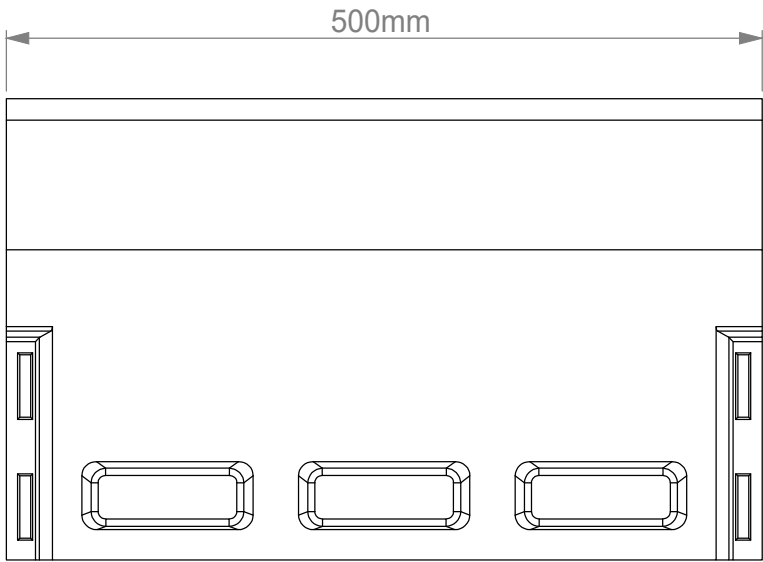
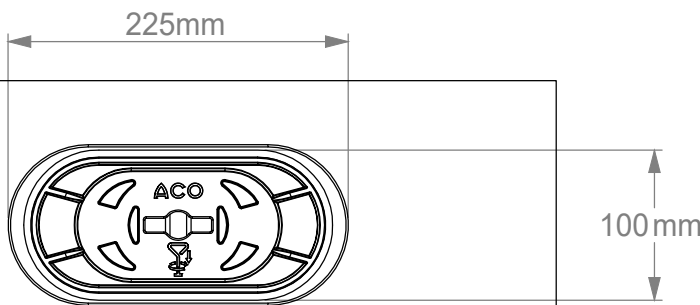
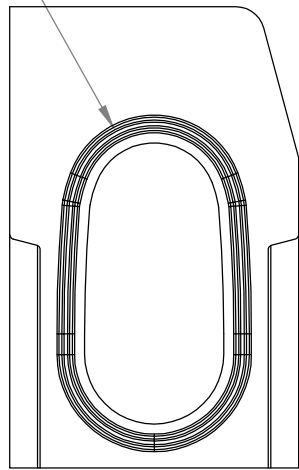


SEALANT GROOVE  
10 x 3mm DEEP



**ISOMETRIC VIEW**  
SCALE: 1:10

**NOTES:**  
 • DIMENSIONS ARE FOR INDICATION ONLY AND MAY VARY DUE TO PART MANUFACTURING TOLERANCES AND INSTALLATION DETAILS  
 • \* CLEAR OPENING

3			CH	
Issue	Date	Description	Created	Approved
		ACO Business Park Hitchin Road Shefford Bedfordshire SG17 5TE, UK Tel: 01462 816666 www.aco.co.uk	Part Number: 32003	
		Drawing Number: E1-M01-619-1	<b>HB305E ACCESS UNIT 500mm E 600 KERBDRAIN</b>	
Created by: CH	Created at: 15/06/2021	Projection: ISO-A	Units: mm	Format: A3
Protection note: DIN ISO 16016				Scale: 1:5
Information contained in this drawing is copyright property of ACO Technologies plc. Any reproduction in part or whole without written permission of ACO Technologies plc is prohibited			Sheet: 1 of 1	