

1 2 3 4 5 6 7 8

A

B

C

D

E

F

A

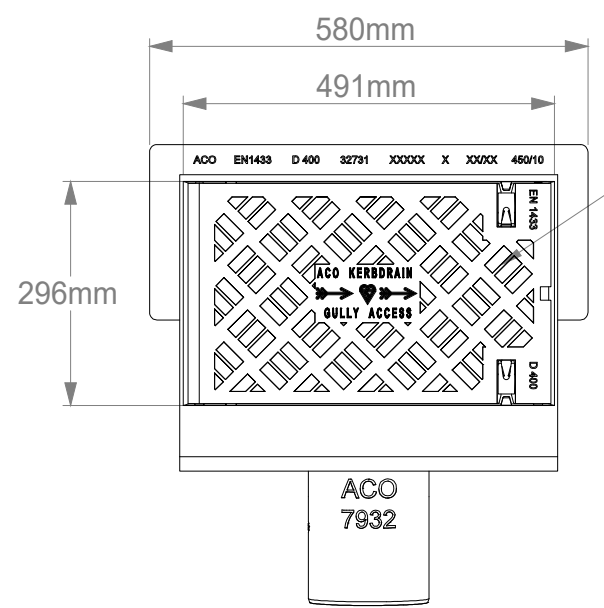
B

C

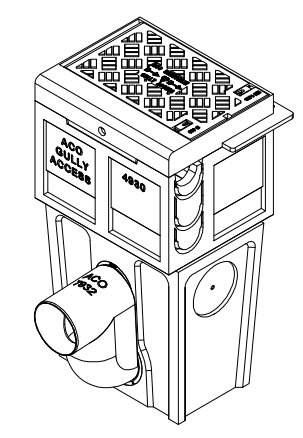
D

E

F

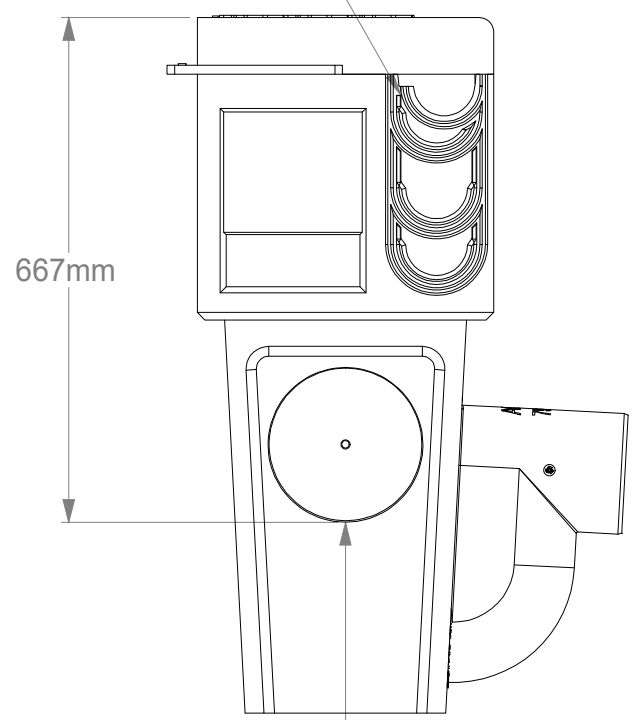


HINGED DUCTILE IRON COVER

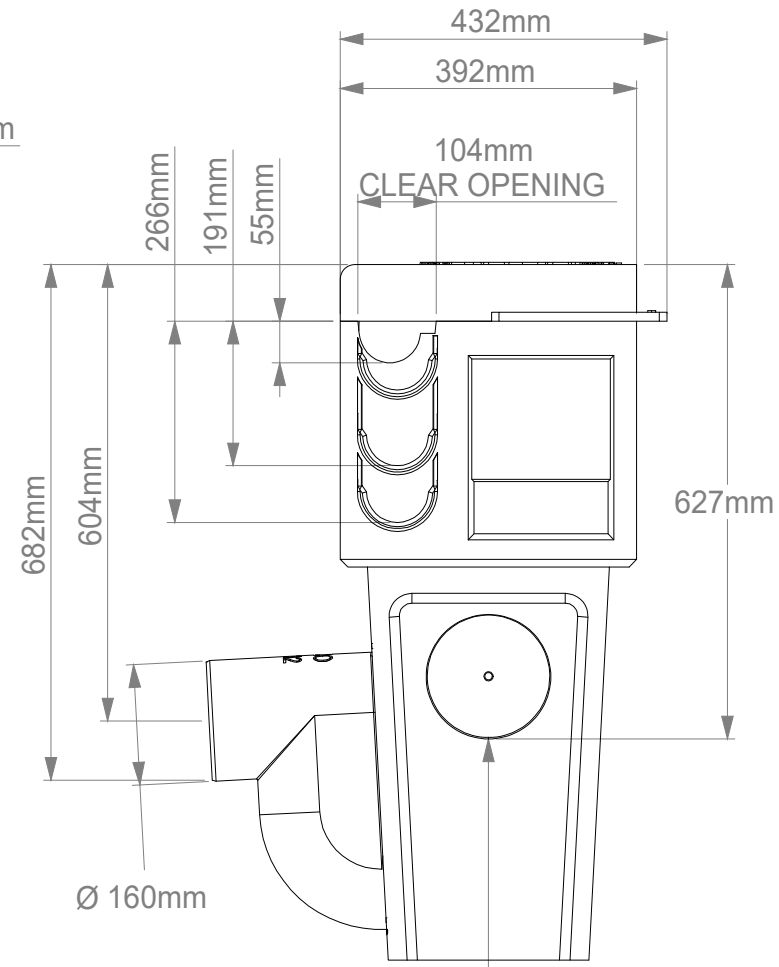
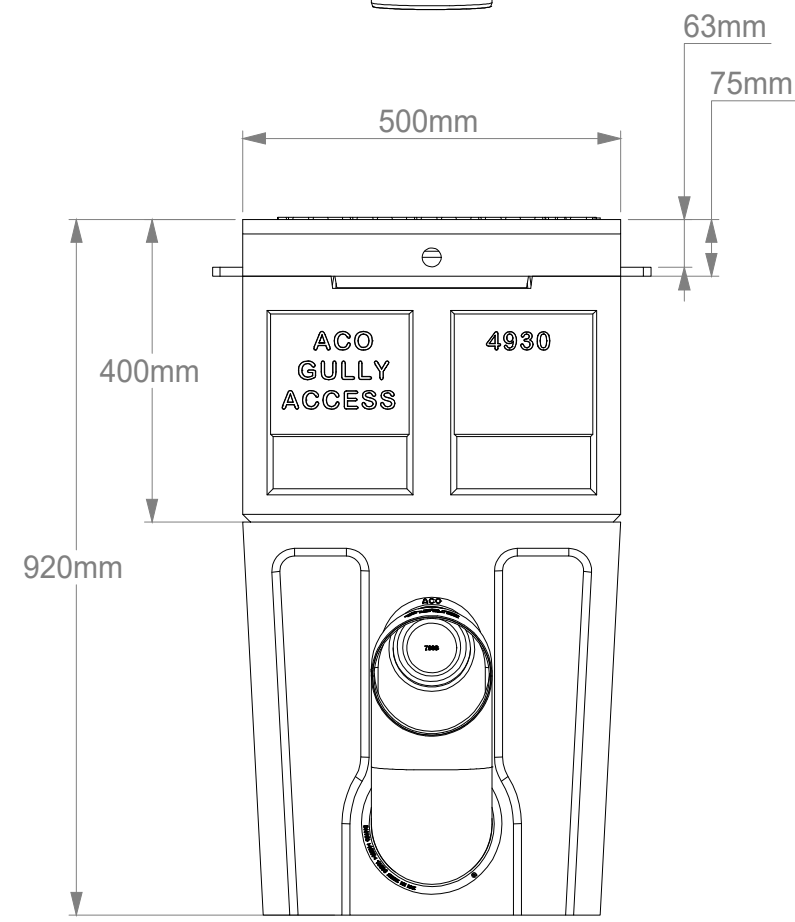


ISOMETRIC VIEW
SCALE: 1:20

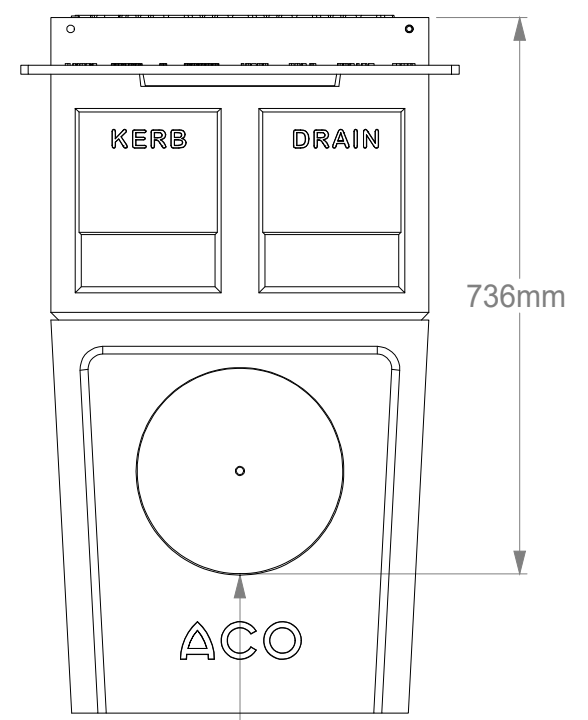
SEALANT GROOVE
10 x 3mm DEEP



Ø 200mm
KNOCKOUT 34.8 l/s




Ø 160mm
KNOCKOUT
34.8 l/s



Ø 275mm
(KNOCKOUT
FOR Ø 225mm
TWINWALL PIPE) 55.7 l/s

NOTES:
• DIMENSIONS ARE FOR INDICATION ONLY AND MAY VARY DUE TO PART
MANUFACTURING TOLERANCES AND INSTALLATION DETAILS
• CLEAR OPENING

A	13/03/2023	RELEASED FOR PRODUCTION	CH	CH
Issue	Date	Description	Created	Approved
		ACO Business Park Hitchin Road Shefford Bedfordshire SG17 5TE, UK Tel: 01462 816666 www.aco.co.uk	Drawing Number: E1-M01-701-1 Part Number: 32729	
Created by: CH		Created at: 22/12/2022	Projection: ISO-A	Units: mm
Protection note: DIN ISO 16016		Format: A3		Scale: 1:10
Information contained in this drawing is copyright property of ACO Technologies plc. Any reproduction in part or whole without written permission of ACO Technologies plc is prohibited			Sheet: 1 of 1	

1 2 3 4 5 6 7 8