

1 2 3 4 5 6 7 8

A

A

B

B

C

C

D

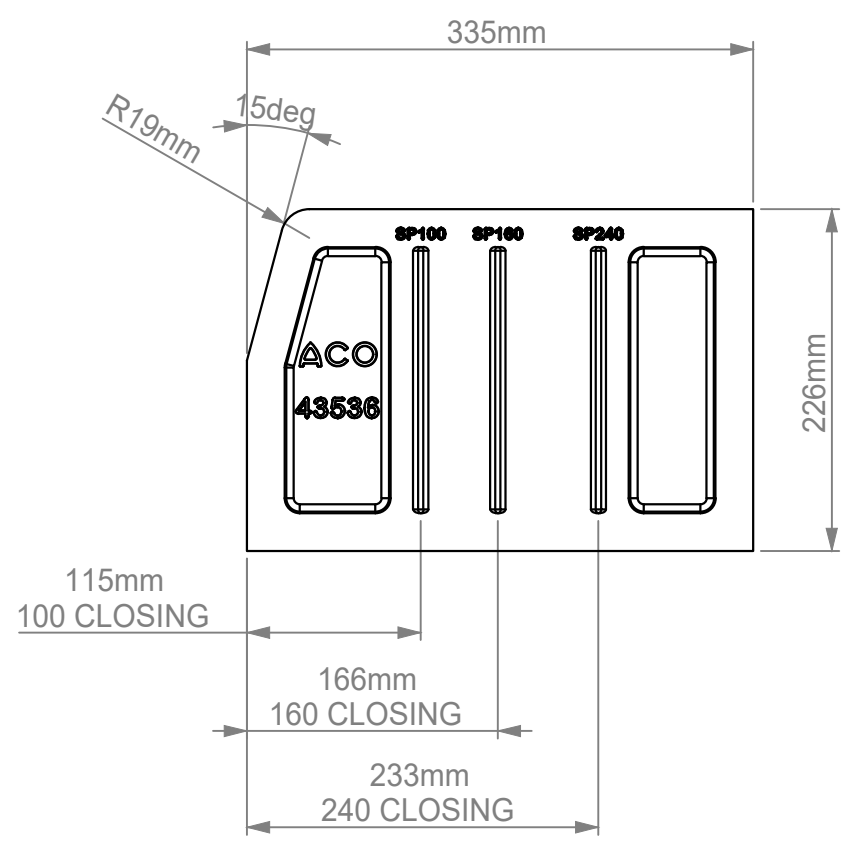
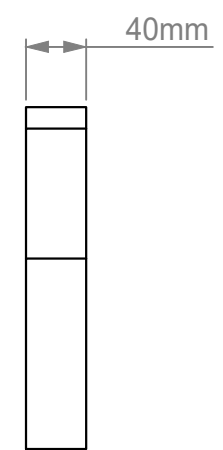
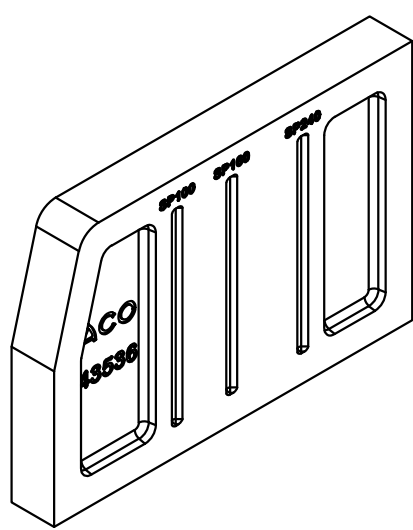
D

E

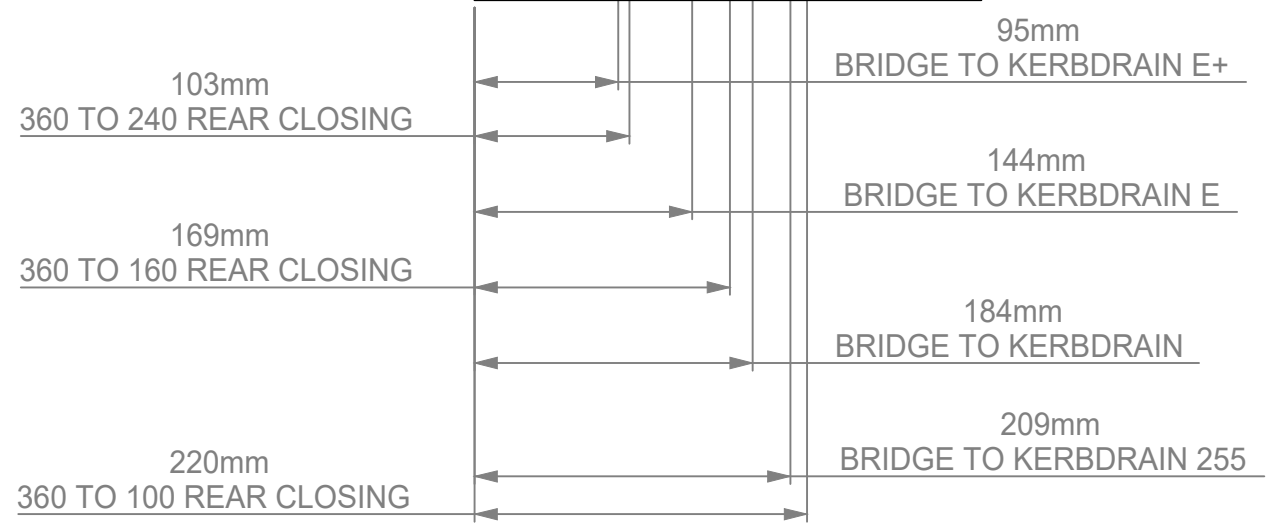
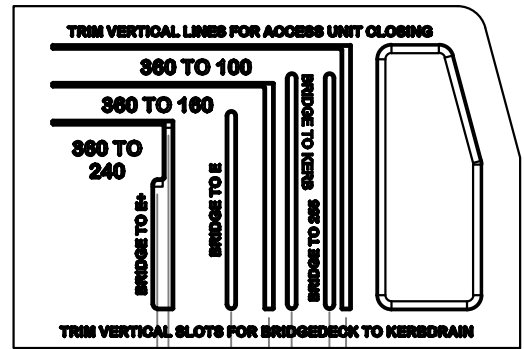
E

F

F



**\*TRIM FOR DESIRED USED\***



**\*TRIM FOR DESIRED USED\***

**NOTES:**  
 • DIMENSIONS ARE FOR INDICATION ONLY AND MAY VARY DUE TO PART MANUFACTURING TOLERANCES AND INSTALLATION DETAILS  
 • CLEAR OPENING

1	16/08/2022	INITIAL ISSUE	LB	LB
Issue	Date	Description	Created	Approved
		ACO Business Park Hitchin Road Shefford Bedfordshire SG17 5TE, UK Tel: 01462 816666 www.aco.co.uk	Drawing Number: E1-M01-689-1 Part Number: 43536	
Created by: LB Created at: 03/08/2022 Protection note: DIN ISO 16016		Title: <b>BRIDGEDECK - HB MULTIFUNCTIONAL ENDCAP</b> Projection: ISO-A Units: mm Format: A3 Scale: 1:5 Information contained in this drawing is copyright property of ACO Technologies plc. Any reproduction in part or whole without written permission of ACO Technologies plc is prohibited.		
			Sheet: 1 of 1	

1 2 3 4 5 6 7 8