

1 2 3 4 5 6 7 8

A

B

C

D

E

F

A

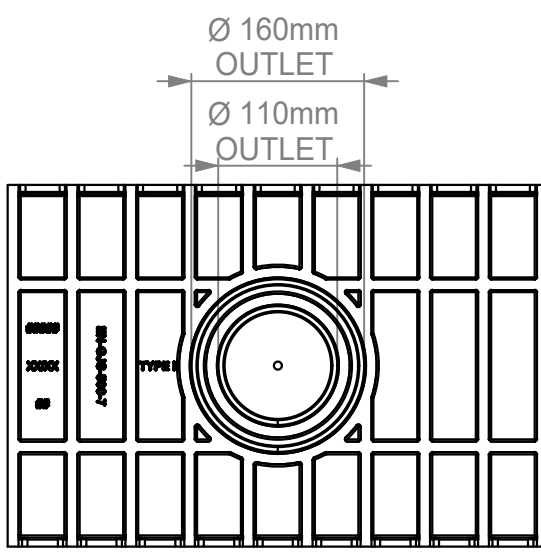
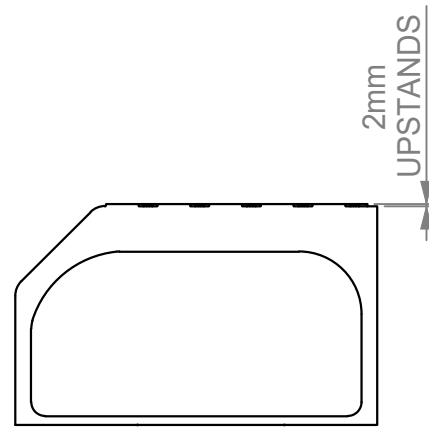
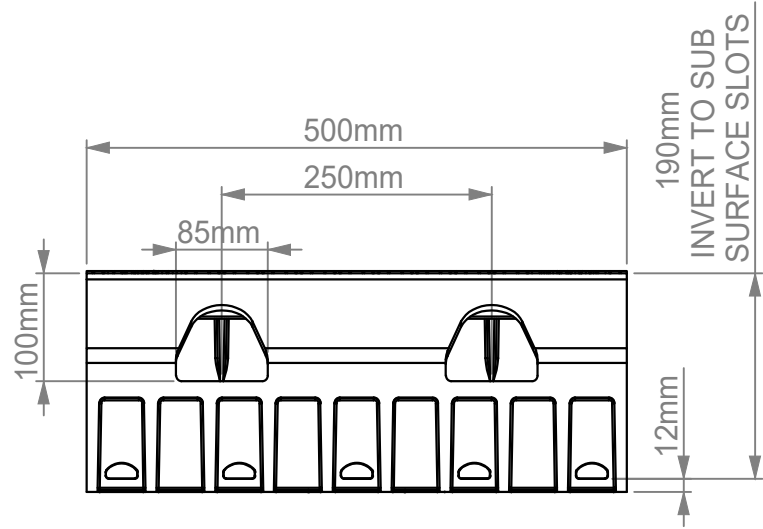
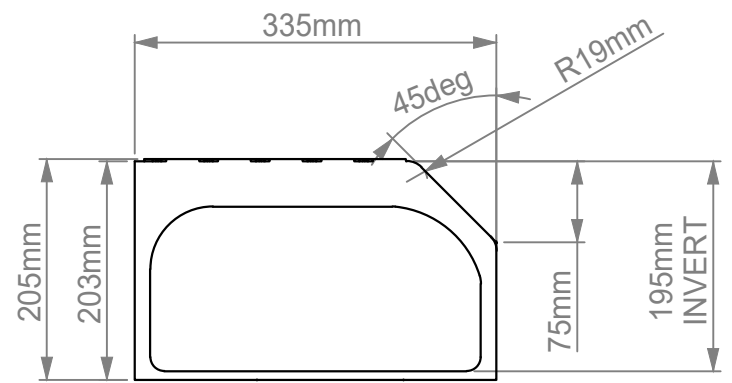
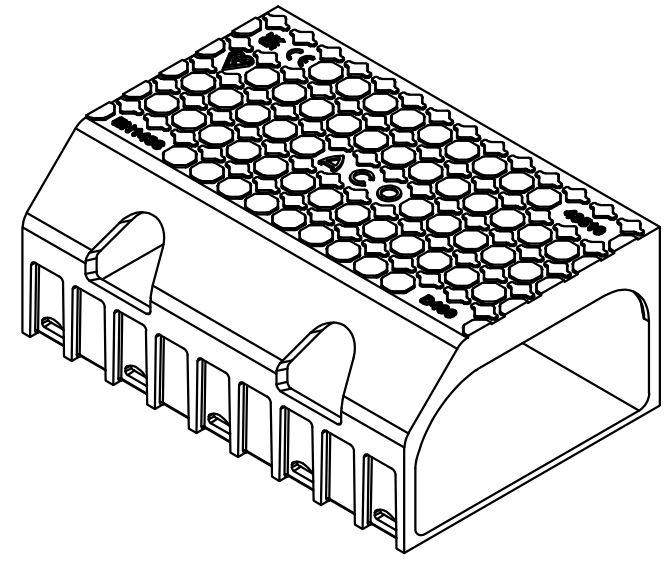
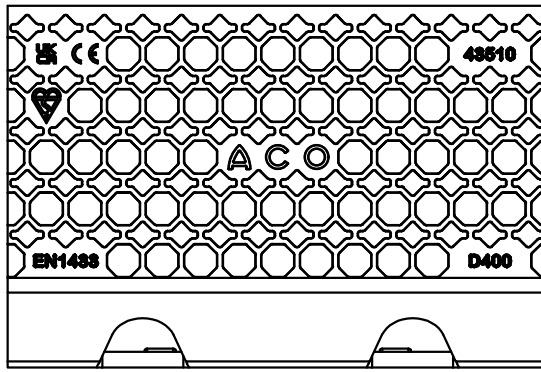
B

C

D

E

F



**NOTES:**  
 \* DIMENSIONS ARE FOR INDICATION ONLY AND MAY VARY DUE TO PART  
 MANUFACTURING TOLERANCES AND INSTALLATION DETAILS  
 \* CLEAR OPENING

1	16/08/2022	INITIAL ISSUE	LB	LB
Issue	Date	Description	Created	Approved
		ACO Business Park Hitchin Road Shefford Bedfordshire SG17 5TE, UK Tel: 01462 816666 www.aco.co.uk	Drawing Number: E1-M01-673-1 Part Number: 43510	
Title: <b>KERBDRAIN BRIDGEDECK - 360 SPLAY CHANNEL</b>			Format: <b>A3</b>	Scale: <b>1:7</b>
Created by: LB    Created at: 28/07/2022		Projection: ISO-A     Units: mm	Information contained in this drawing is copyright property of ACO Technologies plc. Any reproduction in part or whole without written permission of ACO Technologies plc is prohibited.	
Protection note: DIN ISO 16016			Sheet: <b>1 of 1</b>	

1 2 3 4 5 6 7 8