

A

B

C

D

E

F

A

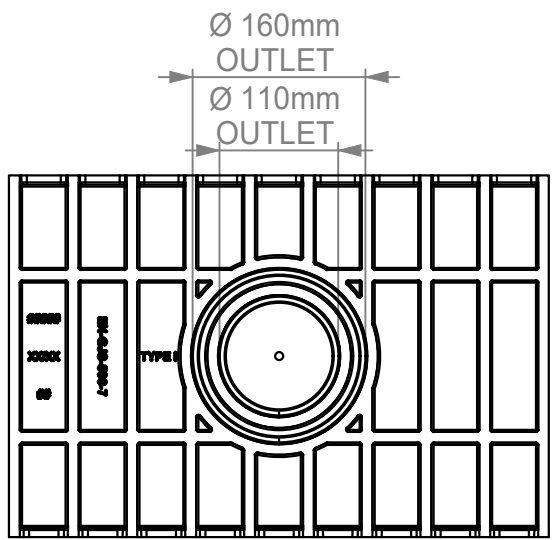
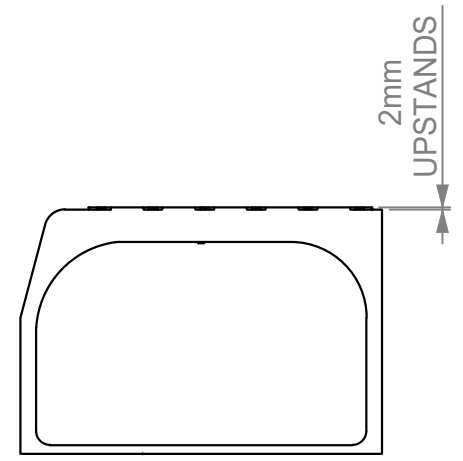
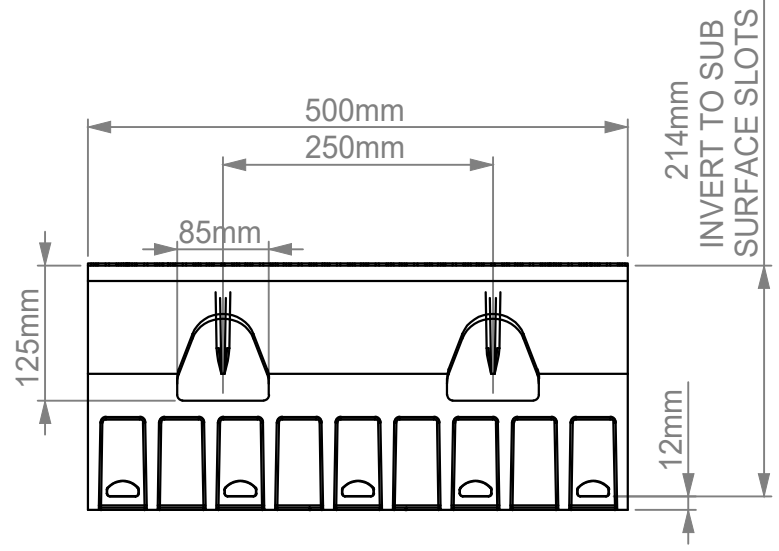
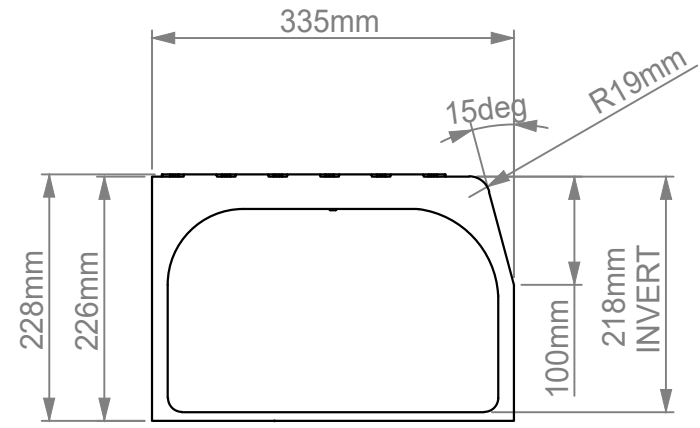
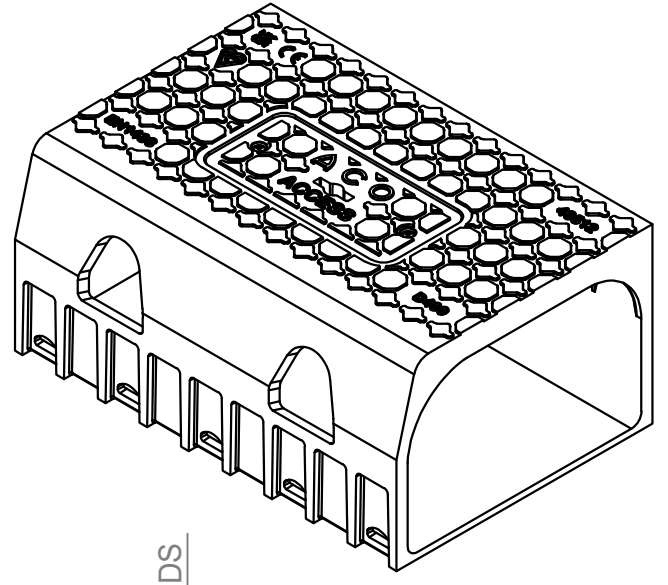
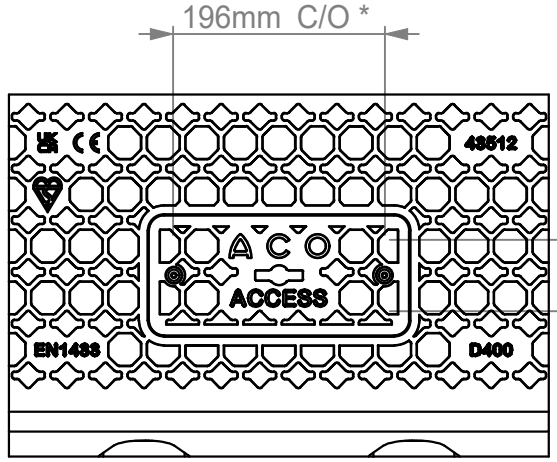
B

C


D

E

F



**NOTES:**  
 \* DIMENSIONS ARE FOR INDICATION ONLY AND MAY VARY DUE TO PART MANUFACTURING TOLERANCES AND INSTALLATION DETAILS  
 \* CLEAR OPENING

1	09/01/2023	INITIAL ISSUE	LB	LB
Issue	Date	Description	Created	Approved
 ACO Technologies plc ACO Business Park Hitchin Road Shefford Bedfordshire SG17 5TE, UK Tel: 01462 816666 www.aco.co.uk		Drawing Number: E1-M01-675-1 Title: <b>KERBDRAIN BRIDGEDECK - 360 HB ACCESS CHANNEL</b>	Part Number: 43512	
Created by: LB	Created at: 28/07/2022	Projection: ISO-A	Units: mm	Format: A3
Protection note: DIN ISO 16016				Scale: 1:7
			Information contained in this drawing is copyright property of ACO Technologies plc. Any reproduction in part or whole without written permission of ACO Technologies plc is prohibited.	
			Sheet: 1 of 1	