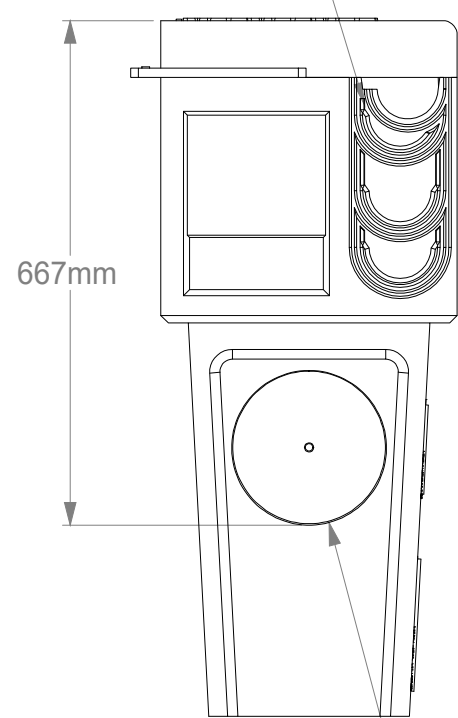
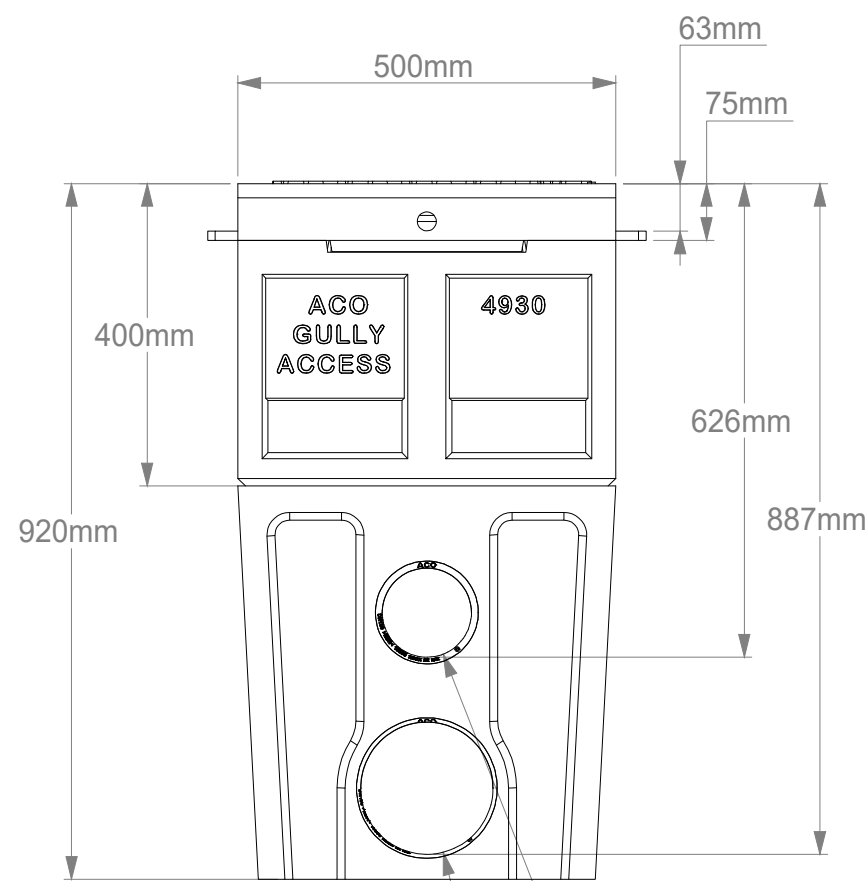


ISOMETRIC VIEW
SCALE: 1:20

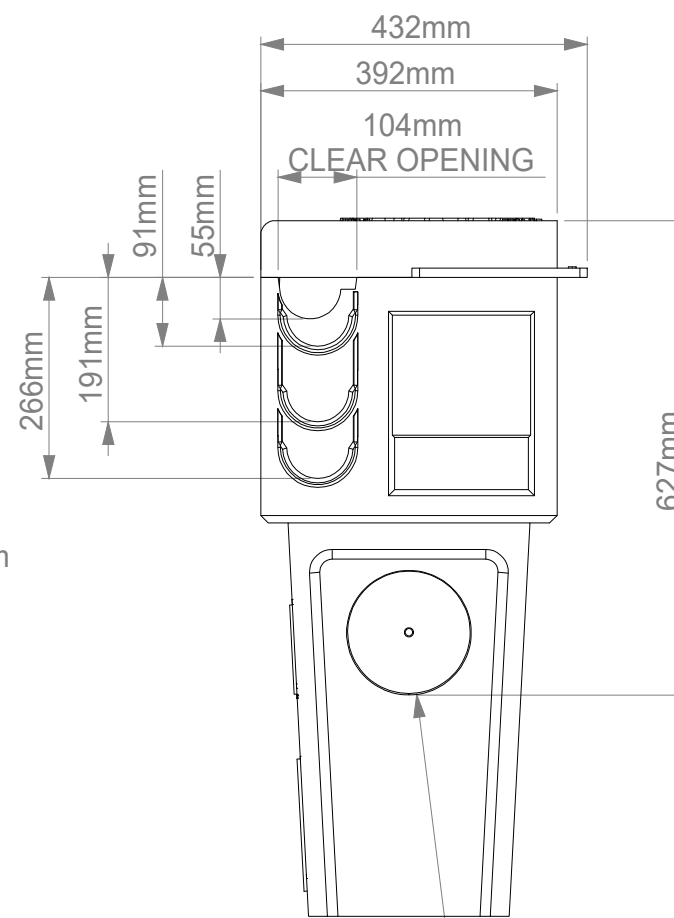
SEALANT GROOVE
10 x 3mm DEEP



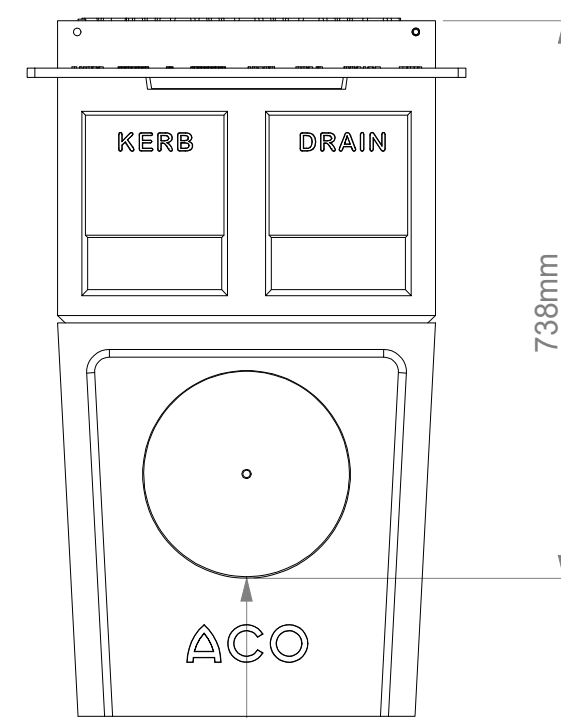
Ø 200mm
KNOCKOUT 34.8 l/s



Ø 110 OUTLET
WITH SEAL 16.4 l/s



Ø 160mm
KNOCKOUT 34.8 l/s



Ø 275mm
(KNOCKOUT
FOR Ø 225 TWINWALL PIPE)
55.7 l/s

Ø 160 OUTLET
WITH SEAL 43.3 l/s

NOTES:
• DIMENSIONS ARE FOR INDICATION ONLY AND MAY VARY DUE TO PART
MANUFACTURING TOLERANCES AND INSTALLATION DETAILS
• * CLEAR OPENING

A	13/03/2023	RELEASED FOR PRODUCTION	CH	CH
Issue	Date	Description	Created	Approved
ACO Technologies plc		ACO Business Park Hitchin Road Shefford Bedfordshire SG17 5TE, UK Tel: 01462 816666 www.aco.co.uk	Part Number: 32728	
Created by: CH		Created at: 22/12/2022	Projection: ISO-A	Units: mm
Protection note: DIN ISO 16016		Title: KERBDRAIN BULLNOSE GULLY ACCESS TOP AND DEEP BASE ASSEMBLY		Format: A3
		Information contained in this drawing is copyright property of ACO Technologies plc. Any reproduction in part or whole without written permission of ACO Technologies plc is prohibited		Scale: 1:10
				Sheet: 1 of 1